



**LG Electronics**

<http://www.lg.com>  
<http://partner.lge.com>

Copyright © 2025 LG Electronics. All rights reserved.

Distributed by

2026 | AIR CONDITIONER



2026

# AIR CONDITIONER

LG HVAC SOLUTION



# LG BUSINESS PARTNERSHIP & INFRASTRUCTURE



# GLOBAL PRODUCTION SITE



## INFRASTRUCTURE IN EUROPE

LG Electronics' European Air Solution department is committed to ensuring your business success. With 16 pan-European sales offices and academies, we seek to deliver on our promise of support, efficiency and proactivity throughout each stage of our business partnership. Our highly competitive products are delivered through our dedicated European distribution centre to ensure a steady and reliable supply of inventory. At our European Energy Lab, LG Business Solutions is developing a heat pump technology that is optimized for the varied European climates and weather patterns along with continuous product performance verification.



### LG Europe B2B Regional Head Office

LG Business Solutions Europe is based in Eschborn, Germany, with regional offices located throughout Europe. LG Europe B2B Regional Head Office is a control tower for European B2B business dealing with a wide range of products, including heat pumps and air conditioners. LG Electronics has a strong global network.

About LG Business Solutions : <http://www.lg.com/global/business/about-lg-business>



### European Distribution Center

LG's European Distribution Center is located in Tilburg, the Netherlands. Supplying products all over Europe, this distribution hub has contributed to smooth and rapid delivery, direct shipping for smaller orders and delivery tailored to air conditioners. Inventory efficiency of the hub is secured by the LG EU's established inventory pool.

## TOTAL HVAC SOLUTION PROVIDER

Since manufacturing Korea's first air conditioner exclusively designed for residential use in 1968, LG has been a pioneer of air conditioning innovation. Encouraged by LG's technological leadership in the residential air conditioning sector since the late 1990s, LG moved into the commercial air conditioning sector.

LG has established itself as an exemplary HVAC and energy solutions provider, investing in new technologies, with the addition of chiller, VRF systems and building management systems (BMS) to its comprehensive product portfolio. Alongside its wide range of innovative solutions, the LG promise is to deliver unparalleled customer service.

LG produces expert air conditioning professionals at its academic centers, of which there are nearly 80 worldwide. These academic centers provide workshops and training programs that offer excellent hands-on experience. Additionally, LG provides advanced and highly sophisticated tools for HVAC system engineers and installers, including its time saving LG Air Conditioner Technical Solution (LATS) software. LATS allows LG to support clients with draft energy estimation and energy modeling, model selection and design, lifecycle cost analysis and more to ensure a seamless process from planning to execution. LG also operates several state-of-the-art R&D facilities all across the planet.

# Evolving Service Platform ThinQ

LG ThinQ offers a variety of products, features and services combined with smart technology. LG's own lifestyle platform, LG ThinQ, connects families to their appliances and electronics, and gives them customized control and peace of mind.



## What is ThinQ UP Air Conditioner

Enables smart appliances continually evolve with new downloadable features, functionalities and enhancements delivered via software updates and add-on hardware upgrades.

### Performance UP

#### Ever-new Air Conditioner

Add new functions to products in use to experience new and better products everyday.

### Custom UP

#### Air Conditioner Tailored Just for You

Experience the freedom to adapt your air conditioner to your evolving lifestyle and preferences. With personalized function recommendations and seamless product upgrades, it ensures a perfect fit for your unique needs and tastes.

### Convenience UP

#### Say Goodbye to Hassles with the Convenience UP Air Conditioner

Designed to tackle inconveniences head-on, it introduces new functions and resolves issues as they arise, delivering a seamless and worry-free experience tailored to your comfort.

### ThinQ Care

Worry-free, peace-of-mind maintenance with proactive smart alerts and tips to keep your appliances running.

### ThinQ UP

ThinQ UP enables your appliances to continuously evolve with new features delivered via software updates and optional hardware upgrades.

### ThinQ Energy

You can manage your entire home's energy usage in one place with energy monitoring, home energy solution package, and energy demand response programs.

## Air Conditioner

With a cutting-edge hardware and software design, this system allows seamless online updates when connected to Wi-Fi. Paired with the intuitive ThinQ app, it empowers customers to personalize and upgrade their home appliances effortlessly, ensuring their devices stay as innovative as they are.



LG Home Appliance



New Air Conditioner



※ ThinQ UP features product may vary by country and model.  
※ For our policy of continuous product improvement, specification, design and feature are subject to change without prior notice.

# RESIDENTIAL

## 008

008 ~ 190

# COMMERCIAL

## 192

192 ~ 389



Energy Saving



35° Sunny  
City  
Mon. 10. 10:00 - 20:00

ThinQ™

008

## RESIDENTIAL

WALL MOUNTED	018
DUALCOOL HEATPUMP (WALL MOUNTED)	026
VENTILATION	060
MULTI SPLIT	084

Intelligent cooling, artfully crafted

# LG ARTCOOL™ AI

MIRROR

확인필요

## Why LG ARTCOOL™ AI

### Intelligent Comfort Redefined

Elevate your comfort effortlessly with AI-powered control. Throughout the year, our intelligent system seamlessly adjusts temperature, humidity, and airflow to offer optimal comfort every moment.



#### AI Comfort Control

##### AI Air

Revolutionize your comfort with intelligent adaptability. AI Air continuously optimizes airflow using radar sensors to track your location and the ThinQ app to understand your preferences.

##### Soft Air

Experience cooling like never before. Indirect airflow keeps you comfortable without direct contact, while personalized wind temperature settings ensure an ideal environment.

##### DUAL Vane

Stay cozy all year round. Cool air flows softly from above, and warm air rises gently from below, eliminating the discomfort of direct wind exposure.

##### Sleep Timer+

Enjoy deeper, smarter sleep. AI learns your sleep rhythm to create a tailored nighttime environment for uninterrupted rest.



#### Premium Artistic Design

##### A Design Inspired by Modern Art

Featuring a stunning black glass mirror finish, it serves as a design centerpiece, bringing sophistication and style to your space.

##### Black Mirror Glass Finish

The sleek black mirror glass finish brings modern elegance and sophistication to any space.

##### Minimal Layered-line Design

This minimalist vent is defined by an architectural array of lines that elevates the overall design and deliver soft, wide airflow.

##### Human Detecting Sensor

Save energy without lifting a finger. The system detects when a room is unoccupied and automatically switches to energy-saving mode after a set time.



#### Proactive Energy Saving & Hygienic Air Care

##### Effortless Savings

Live easy with the ThinQ application, helping to provide unparalleled comfort and energy efficiency. Control is always at your fingertips.

##### kW Manager by LG ThinQ

Manage energy usage and spending.

##### Window Open Detection

Save energy with automatic power-saving.

##### All Cleaning Mode

One tap for total cleaning.

##### Auto Clean+

Dries the inside automatically.

##### Pre-Filter

Traps big dust particles.

##### Freeze Cleaning

Ice washing cleaning.

##### Allergy Filter

Reduce allergens allergy.

##### Plasmaster™ Ionizer++

Remove 99.9% of adhering bacteria.



※ For our policy of continuous product improvement, specification, design and feature are subject to change without prior notice.

Intelligent cooling, perfectly tuned

# LG DUALCOOL™ AI

PREMIUM / DELUXE / SPECIAL



## 확인필요

### Why LG DUALCOOL™ AI

#### Intelligent Comfort Redefined

Elevate your comfort effortlessly with AI-powered control. Throughout the year, our intelligent system seamlessly adjusts temperature, humidity, and airflow to offer optimal comfort every moment.



#### AI Comfort Control

##### AI Air

Revolutionize your comfort with intelligent adaptability. AI Air continuously optimizes airflow using radar sensors to track your location and the ThinQ app to understand your preferences.

##### Soft Air

Experience cooling like never before. Indirect air flow keeps you comfortable without direct contact, while personalized wind temperature settings ensure an ideal environment.

##### DUAL Vane

Stay cozy all year round. Cool air flows softly from above, and warm air rises gently from below, eliminating the discomfort of direct wind exposure.

##### Sleep Timer+

Enjoy deeper, smarter sleep. AI learns your sleep rhythm to create a tailored nighttime environment for uninterrupted rest.



#### Proactive Energy Saving

##### Effortless Savings, Seamless Living

Experience smarter energy management with LG's advanced technologies that effortlessly blend efficiency and comfort. Stay in control of your energy usage with intuitive features that optimize performance without sacrificing comfort.

##### kW Manager by LG ThinQ

Set your energy-saving goals with ease. The air conditioner automatically adjusts operation based on your target electricity usage and preferred time period, making energy management effortless.

##### Human Detecting Sensor

Save energy without lifting a finger. The system detects when a room is unoccupied and automatically switches to energy-saving mode after a set time.

##### Window Open Detection

Smart detection for smarter savings. If a sudden temperature change is detected within 5 minutes, the system recognizes it as an open window and adjusts operations to avoid energy waste.



#### Hygienic Air Care

##### Clean Air Out, Fresh Breath In

A multi-step filtration process with Freeze Cleaning that purifies the air, removing dust and even bacteria, making sure the air you breathe is always fresh.

##### All Cleaning Mode

One tap for total cleaning.

##### Auto Clean+

Dries the inside automatically.

##### Pre-Filter

Traps big dust particles.

##### Freeze Cleaning

Ice washing cleaning.

##### Allergy Filter

Reduce Allergens allergy.

##### Plasmaster™ Ionizer++

Remove 99.9% of adhering bacteria.

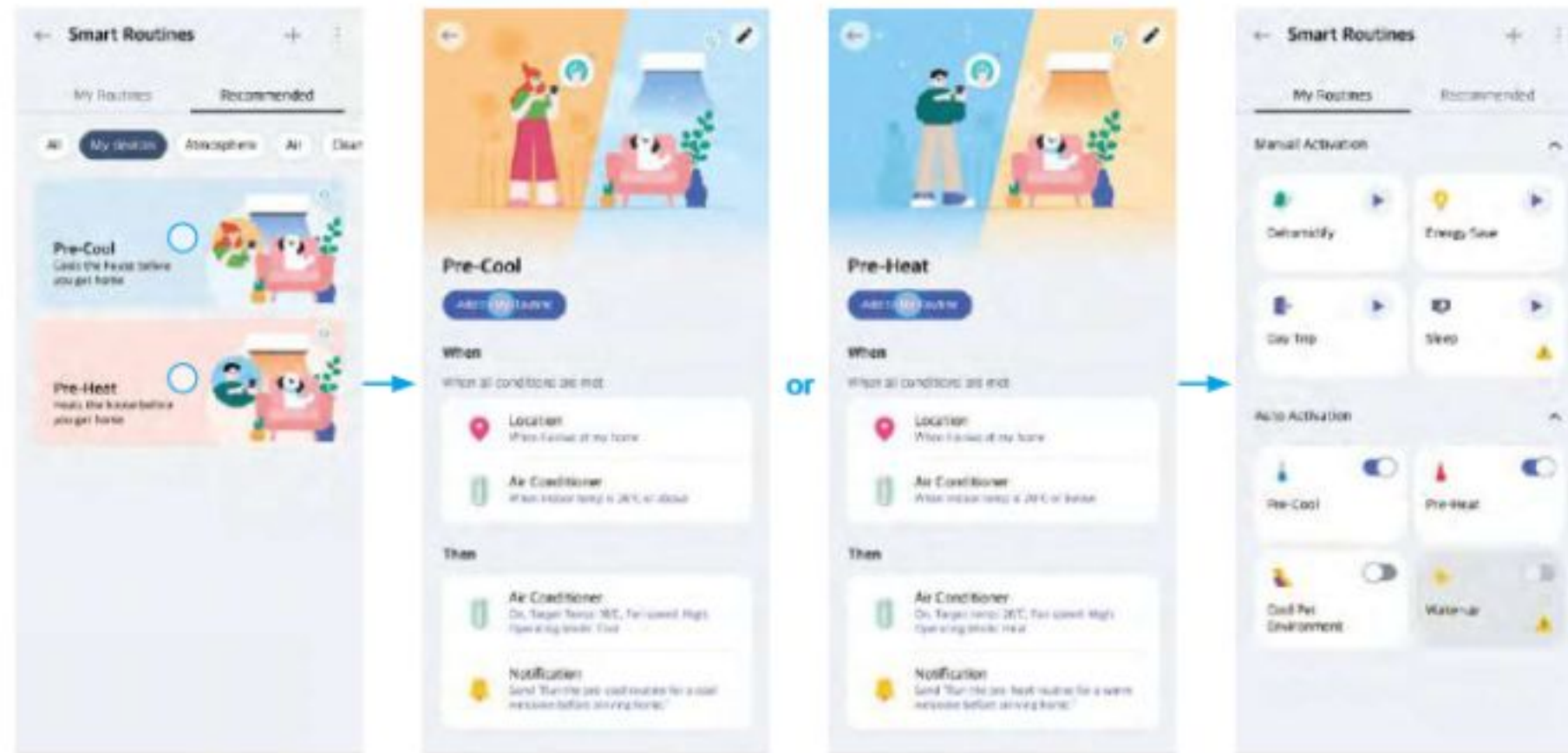
## Key Feature

### Pre-Cool & Heat

Turn on the air conditioner when you approaching home

Use the LG ThinQ app to turn on the air conditioner before you arrive home, creating a cool or warm and welcoming environment.

AI Comfort Control



### How It Works

If the customer sets the distance through ThinQ and comes within the set distance, a push notification is sent through ThinQ

### Benefit

Automatically turns on the air conditioner when approaching the house

When customers come home, they can immediately enjoy the warm and comfortable air in the house.

Pre-Cool & Heat prepares smart homecoming for customers by automatically operating the air conditioner in advance through ThinQ.

※ The feature is planned to be released in Italy, the Netherlands and Germany in November 2025, and the rest of the EU country is also preparing to release it.  
 ※ Before using this function, customers can set their home location on Google Maps through ThinQ and make location changes through the editing function.  
 ※ The initial setting range is set to 250 m and can be modified up to 30 km. It can be modified in 1m increments.

※ For our policy of continuous product improvement, specification, design and feature are subject to change without prior notice.  
 ※ Specifications may vary for each model.

### ThinQ UP

LG RAC will be performance UP, Custom UP and Convenience UP continued thru LG ThinQ App.

Enables smart appliances continually evolve with new downloadable features, functionalities and enhancements delivered via software updates and add-on hardware upgrades.

AI Comfort Control



**Ever-new Air Conditioner**  
 Add new functions to products in use to experience new and better products everyday



**Air Conditioner That Fit Me**  
 New function recommendation and product upgrades according to my changing lifestyle and taste



**Air Conditioner That Resolve Inconvenience**  
 New functions are told or problems are solved when there are inconveniences

### How It Changed



※ ThinQ UP features product may vary by country and model.

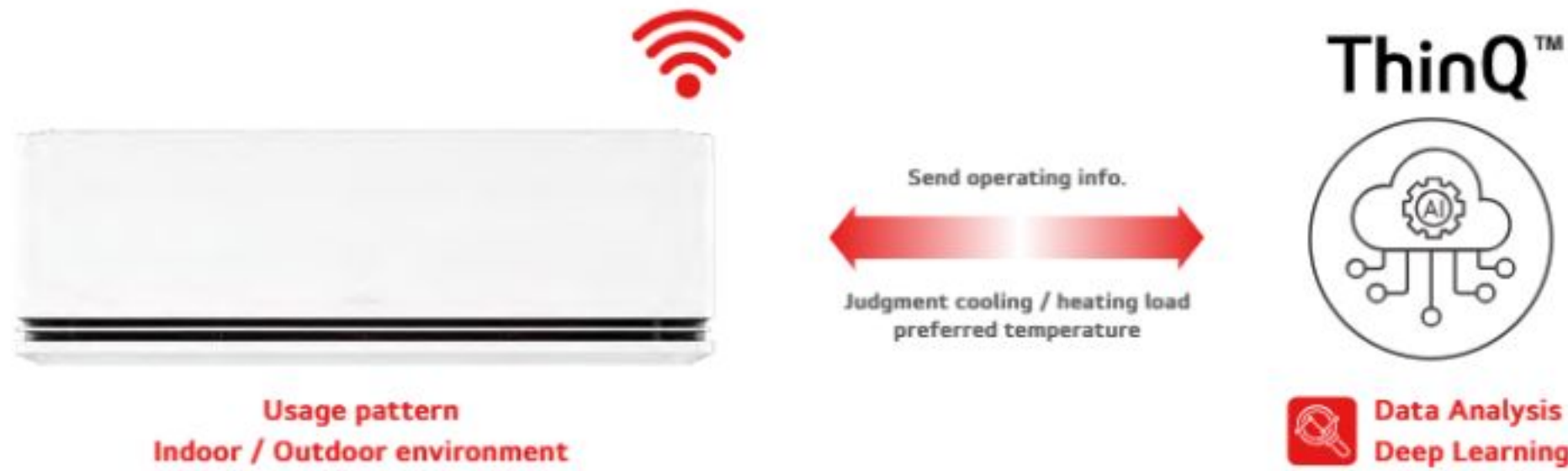
※ For our policy of continuous product improvement, specification, design and feature are subject to change without prior notice.  
 ※ Specifications may vary for each model.

## Key Feature

### AI Air (by AI-powered control)

Smarter Cooling & Heating with AI Analysis of Space, Location of People

ThinQ analyzes not only the customer's air conditioning usage patterns but also periodically analyzes indoor environmental information to automatically set the operating mode of the product and provide customized cooling / heating.



### Benefit

#### Stay Comfortable Wherever You Are

Enjoy personalized comfort, no matter where you are in the room. Advanced radar sensors detect your location, delivering the perfect breeze for your needs—direct cooling when you're hot and gentle, indirect cooling when you've cooled down.

#### No Matter Where You Are, Comfort Follows You

With AI Air, comfort is always within reach. Advanced AI-driven space analysis ensures your environment is perfectly adjusted to your needs.

#### Cooling Soft Air

Say goodbye to temperature extremes. The system eliminates the discomfort of being too cold when it's on or too hot when it's off. Whether you're lounging in bed or relaxing elsewhere, the radar sensor detects your location and adapts.

#### Strong Breeze when It's Hot or Cold.

Gentle, soft airflow as the room warms up or cools down. Experience a perfectly balanced atmosphere tailored just for you, every moment of the day.



- ※ The AI Air function is available only in heating and cooling modes. When the AI Air function is activated, it automatically operates in one of three modes (Direct Fast, Indirect Fast, Soft Air) using the "Human Detecting Sensor" or ThinQ settings to occupant's location. And wind direction and speed are adjusted automatically based on the indoor environment and the location of the occupant. When there are multiple occupants in the space, only the location of the nearest occupant is taken into account.
- ※ The model without a "Human Detecting Sensor (Radar Sensor)" can use the AI Air function by setting the positions of products and furniture in ThinQ. Based on the set positions, the airflow, wind direction, and product performance are adjusted, but tracking functionality is not provided.
- ※ For our policy of continuous product improvement, specification, design and feature are subject to change without prior notice.
- ※ Specifications may vary for each model.

### AI Comfort Control

### Sleep Timer+ (by AI-powered control)

ThinQ Learns Your Rhythm for Deeper Sleep

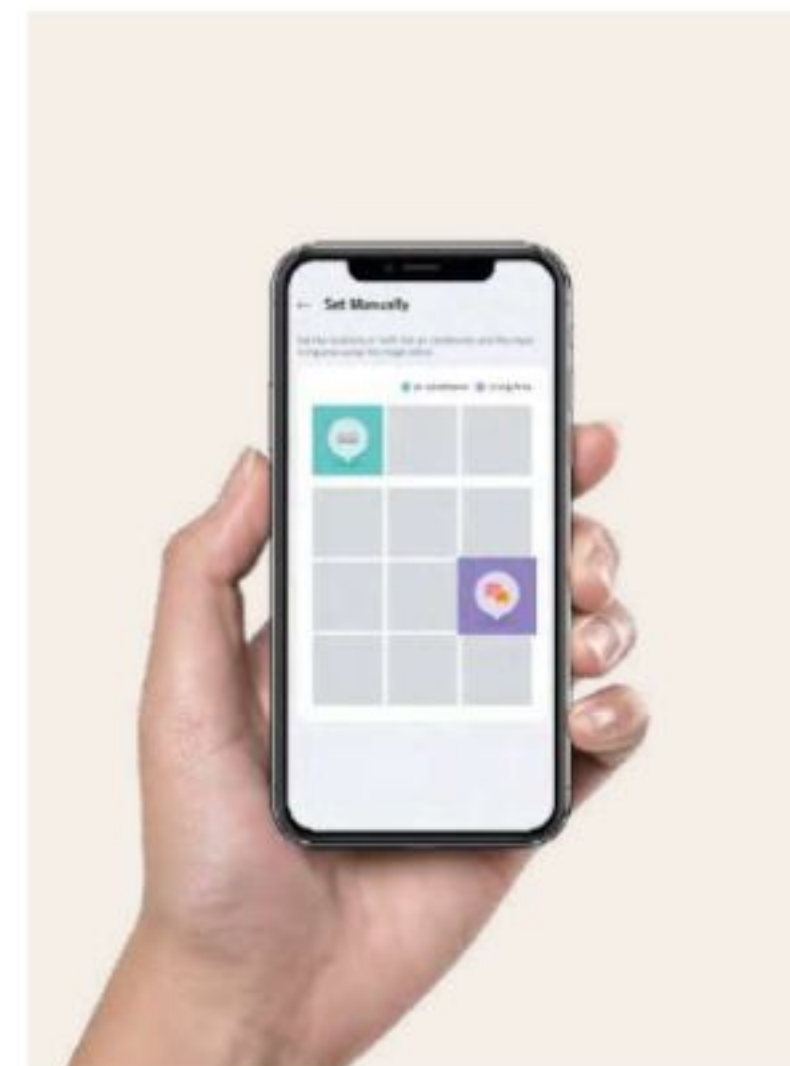
For a deeper, more restful sleep, Sleep Timer+ automatically adjusts the cooling temperature to suit your needs. By analyzing your air conditioner usage patterns, it ensures a comfortable environment that helps you sleep longer and more comfortably throughout the night.



- ※ "Sleep Timer+" operates by automatically adjusting the setting temperature through user pattern analysis during sleep mode.
- ※ "Sleep Timer+" is only available in Cooling mode.
- ※ "Sleep Timer+" allows the initial setting temperature to be set in the range of 22°C to 28°C.
- ※ "Sleep Timer+" is set through ThinQ and can be operated by ThinQ and remote controller.
- It can be set from a minimum of 30 minutes to a maximum of 12 hours, and after 1 hour, it can be set in 1-hour increments.
- ※ "Sleep Timer+" is deactivated when setting Energy saving, Power Cooling and Smart care.

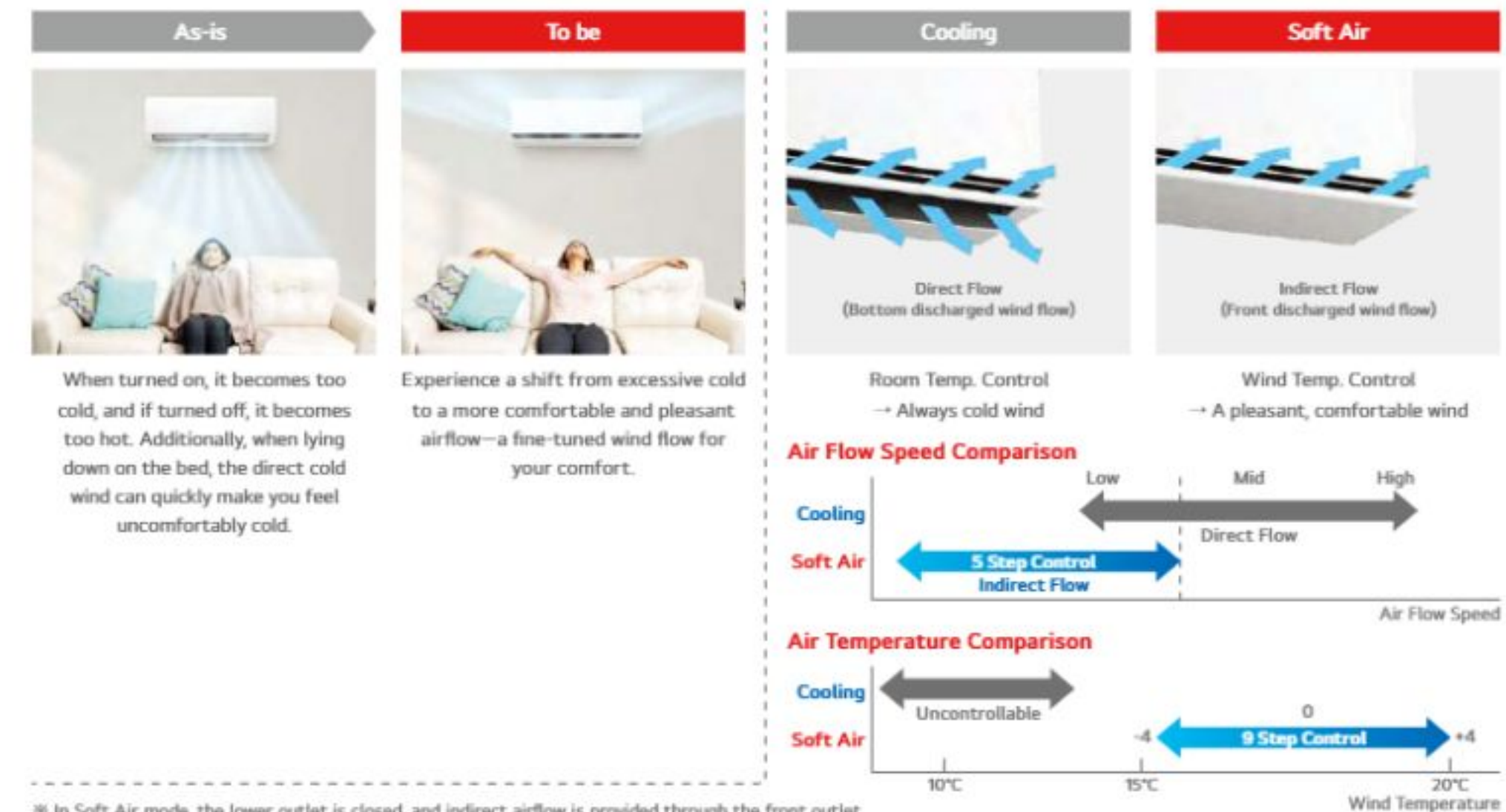
#### Adjust Exactly as You Want

With the ThinQ app, easily set the location of your air conditioner and specify the areas where you spend most of your time. This allows you to enjoy a fully customized airflow, tailored to your unique preferences for the ultimate comfort.



### Soft Air

Stay comfortably cool with no chilly drafts and personalize breeze range and temperature.



- ※ In Soft Air mode, the lower outlet is closed, and indirect airflow is provided through the front outlet.
- ※ This function can be applied Cooling / Fan / AI Air mode only.
- ※ During AI Air mode operation, the Soft Air function is automatically activated based on the indoor environment.
- ※ To use the Soft Air function alone, it can be manually activated using the ThinQ app or the remote control.
- ※ The wind temperature can be set through ThinQ only when using the Soft Air mode alone, not during AI Air operation.
- ※ During the use of soft Air mode, the minimum settable room temperature is 24°C.
- ※ The airflow temperature may not increase or decrease depending on the indoor and outdoor temperatures.
- ※ When connected Multi ODU, this function may not be supported.

- ※ For our policy of continuous product improvement, specification, design and feature are subject to change without prior notice.
- ※ Specifications may vary for each model.

### AI Comfort Control

### AI Comfort Control

# Key Feature

## DUALVane™

DUAL Vane spreads airflow up or down, further and faster, for ideal comfort in any season.

### AI Comfort Control



#### Longer Stream Wind

The innovative DUAL Vane system combines two separate vanes into one long, unified vane, allowing airflow to reach further than traditional models. This extended airflow ensures more effective and consistent cooling throughout the room, enhancing comfort in every corner.

#### Indirect Flow

The DUAL Vane system offers an indirect airflow mode for a more comfortable experience than traditional single vane. Cold air flows gently from above your head, while warm air rises from beneath your feet, minimizing the discomfort of direct wind contact and creating a more balanced and pleasant environment.



#### Faster Cooling & Heating

DUAL Vane can provide optimized airflow that single vane can not achieve. It enables cooling up to 23% faster and heating up to 6% faster than single vane.



※ Performance comparison vs Single Vane

- 1) Date 2024.12, Measurement results in LG air conditioner R&D Center, installation height 2.0 m, Fan mode. Using a wind speed probe, the height range from 0.1 to 1.7 m is measured in 0.2 m increments. Measures the maximum distance reached by airflow more than 0.25 m/s speed from the products.
- 2) Date 2023.10 LG air conditioner home environment testing chamber, 20.9 m<sup>3</sup>/50.1 m<sup>3</sup>, Jet Mode, Indoor DB (33±0.3)°C / RH (60±5)%, Outdoor DB (35±0.3)°C / RH (50±5)% 18°C setting on cooling mode, Indoor DB (12±0.3)°C / RH (60±5)%, Outdoor DB (7±0.3)°C / RH (87±5)% 30°C setting on heating mode, measured the time took reduce 5°C (for Cooling) / rise 5°C (for heating), from the initial average room temperature. Test Model : S3-M12KL2MB (SK), S3-M12L1C0 (S1 New Platform)
- 3) The performance result may vary depending on actual usage conditions.

## Comfort Humidity Control

No excess chill, Comfort Humidity Control perfects your home with humidity optimized to your desired temperature.

### AI Comfort Control

#### Conventional



#### LG DUALCOOL



#### Operation Example (24°C Setting)



- ※ The air flow changes automatically based on the operating environment.
- ※ This function can be used through remote controller and LG ThinQ app.
- ※ When connected to Multi ODU, this function may not be supported.

※ For our policy of continuous product improvement, specification, design and feature are subject to change without prior notice.  
 ※ Specifications may vary for each model.

## kW Manager

Stay cool. kW Manager lets you take control of your energy usage and spending proactively.

### Proactive Energy Saving

- ※ During the set period, the accumulated electricity is monitored and performance (electricity consumption) limiting operation is performed for remaining period.
- ※ If the accumulated electricity is increase due to over the daily usage time, remaining electricity is recalculated to each days for operate product. ※ This function can use through ThinQ only
- ※ If the accumulated electricity within the set period exceeds the target amount, the function is released and changed to general operation mode with a ThinQ notification.
- ※ When connected to Multi ODU, this function is not supported.
- ※ The kW Manager applies differently depending on the model in Cooling Mode and Cooling & Heating mode.
  - Cooling Only : AI Air Mirror, AI Air Premium, AI Air Deluxe, and AI Air Special
  - Cooling & Heating : DUALCOOL Special P Series & DUALCOOL Special E Series

## Human Detecting Sensor

Human Detecting Sensor's location detector provides comfy airflow control and auto power-savings.

### Proactive Energy Saving

- ※ This function can be turned on/off through remote controller or LG ThinQ app.
- ※ The "Human Detecting Sensor" only activates cooling and heating mode.
- ※ The judgment time of absence human detection can be set from 20 to 120 min through LG ThinQ app (Default 20 min).
- ※ Human body detection covers 100 degrees left and right based on the product, and the maximum detection distance is 5 m.
- ※ Depending on usage conditions, sensor detection range may be shortened.
- ※ For our policy of continuous product improvement, specification, design and feature are subject to change without prior notice.
- ※ Specifications may vary for each model.

## Key Feature

### Window Open Detection

Proactive Energy Saving

Reduces energy loss as energy saving mode starts automatically during sudden temperature changes. Prevents condensation when windows are open.



- ※ The initial setting is off when the product is shipped.
- ※ This function can be set up through LG ThinQ app only.
- ※ The "Window Open Detection" function is available in Cooling and Heating mode only.
- ※ The default energy saving mode operating time is 10 minutes and can be set up to 60 minutes through LG ThinQ app.

### Total Air Care

Hygienic Air Care

A multi-step filtration process with Freeze Cleaning that purifies the air, removing dust and even bacteria, ensuring the air you breathe is always fresh.



※ The Image shown above varies by model.

※ For our policy of continuous product improvement, specification, design and feature are subject to change without prior notice.  
 ※ Specifications may vary for each model.

### Total Air Care

Hygienic Air Care

### All Cleaning

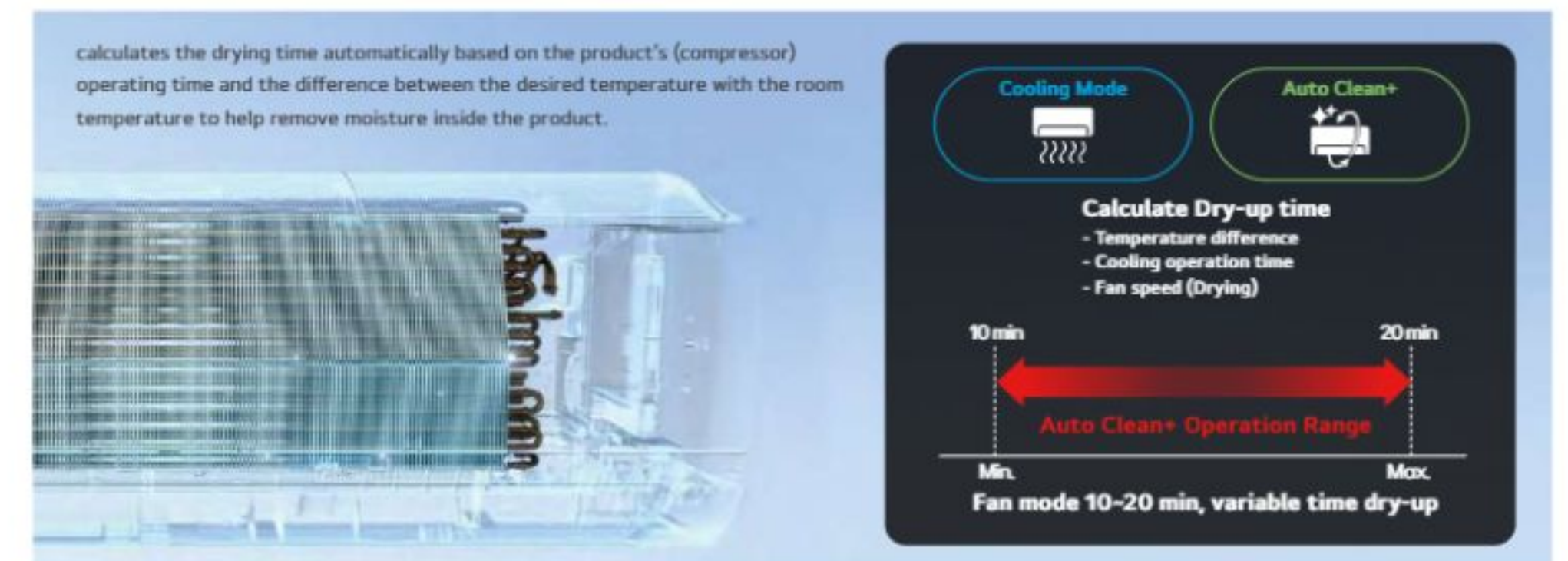
When you turn on the air conditioner for the first time in a long time or do not run the air conditioner for a long time at the end of summer, you can use "All Cleaning" to manage everything from washing to drying at once.



- ※ When using the "All Cleaning," Generating Condensed water, Freeze Cleaning, and Auto Clean+ operate sequentially.
- ※ "All Cleaning" is only available on ThinQ, and the function can be deactivated when stopping operation or changing modes or settings using the remote controller.
- ※ When the function is activated, "AL" is displayed on the product.
- ※ "All Cleaning" can be operated at 21-32°C (indoor) / 21-37°C (outdoor).
- ※ The operation time of the "All Cleaning" may vary depending on the environment and usage conditions.
- ※ When connected to Multi ODU, this function may not be supported.

### Auto Clean+

Automatically dries any moistures inside the air conditioner to ensure it's always clean.



- ※ The Auto Clean+ operating time is automatically set according to the appliance usage conditions, and the progress status is displayed as the remaining minutes on the indoor unit display.
- ※ The AI dry time is automatically set up to 20 minutes. (for ARTCOOL Gallery, 15 to 25 min)
- ※ Through the ThinQ app, customer can set the wind speed and adjust the drying speed.
- ※ The drying condition inside the appliance may be differently depending on the temperature or humidity of the indoor air.

※ For our policy of continuous product improvement, specification, design and feature are subject to change without prior notice.  
 ※ Specifications may vary for each model.

A new air conditioner designed to seamlessly integrate with your senses and interior.

# LG ARTCOOL™ Gallery

Premium / Special



## Key Feature

Explore the ARTCOOL 2<sup>nd</sup> Evolution Gallery – An Interior Masterpiece.

### Art Display (27" Full HD LCD)

Experience a 27" Full HD LCD display incorporated into the air conditioning unit. Customize the screen to suit your mood and preferences.



**Wood Frame Design**  
Featuring a modern and luxurious design that seamlessly harmonizes with any space.



The ARTCOOL Gallery has Excellence Design Awards from the IDEA. (International design excellence awards)

## Create the Interior Settings Using the LG ThinQ App

Choose up to 20 photos from your phone and send them to Look at Me through the ThinQ app, allowing you to view them on the air conditioner.



For our policy of continuous product improvement, specification, design and feature are subject to change without prior notice. Specifications may vary for each model.

Anytime, Anywhere!

# LG DUALCOOL™ powered by ThinQ with Voice Control



## Key Feature

### Elevate Your Daily Routine with ThinQ

<p><b>Cool home when you arrive</b> "Imagine arriving to a perfectly cool home"</p> 	<p><b>Monitor monthly electricity bills</b> "Track your AC usage and stay informed about your monthly electricity consumption."</p> 
<p><b>Switch off AC after you've left</b> "No more worries about leaving the AC on – switch it off with a tap."</p> 	<p><b>No need to search for the remote control</b> "Control your air conditioner effortlessly with your phone. Forget the hassle of searching for the remote—simply adjust settings from the comfort of your couch, ensuring convenience at your fingertips."</p> 

**ThinQ™**

### Voice control for an enhanced lifestyle

- Intuitive control for convenient, anytime, anywhere access.
- Enjoy increased comfort made accessible and simple for everyone.
- Save time without the burden of searching for the remote control.

※ For our policy of continuous product improvement, specification, design and feature are subject to change without prior notice.  
 ※ Specifications may vary for each model.

### Simple Voice Control for Convenience and Accessibility

Experience the ease of simple voice control, saving you valuable time otherwise searching for the remote control. DUALCOOL models are also compatible with AI speakers like ThinQ with Google Assistant, Google Home, and more. Say goodbye to pressing buttons – use your voice instead.

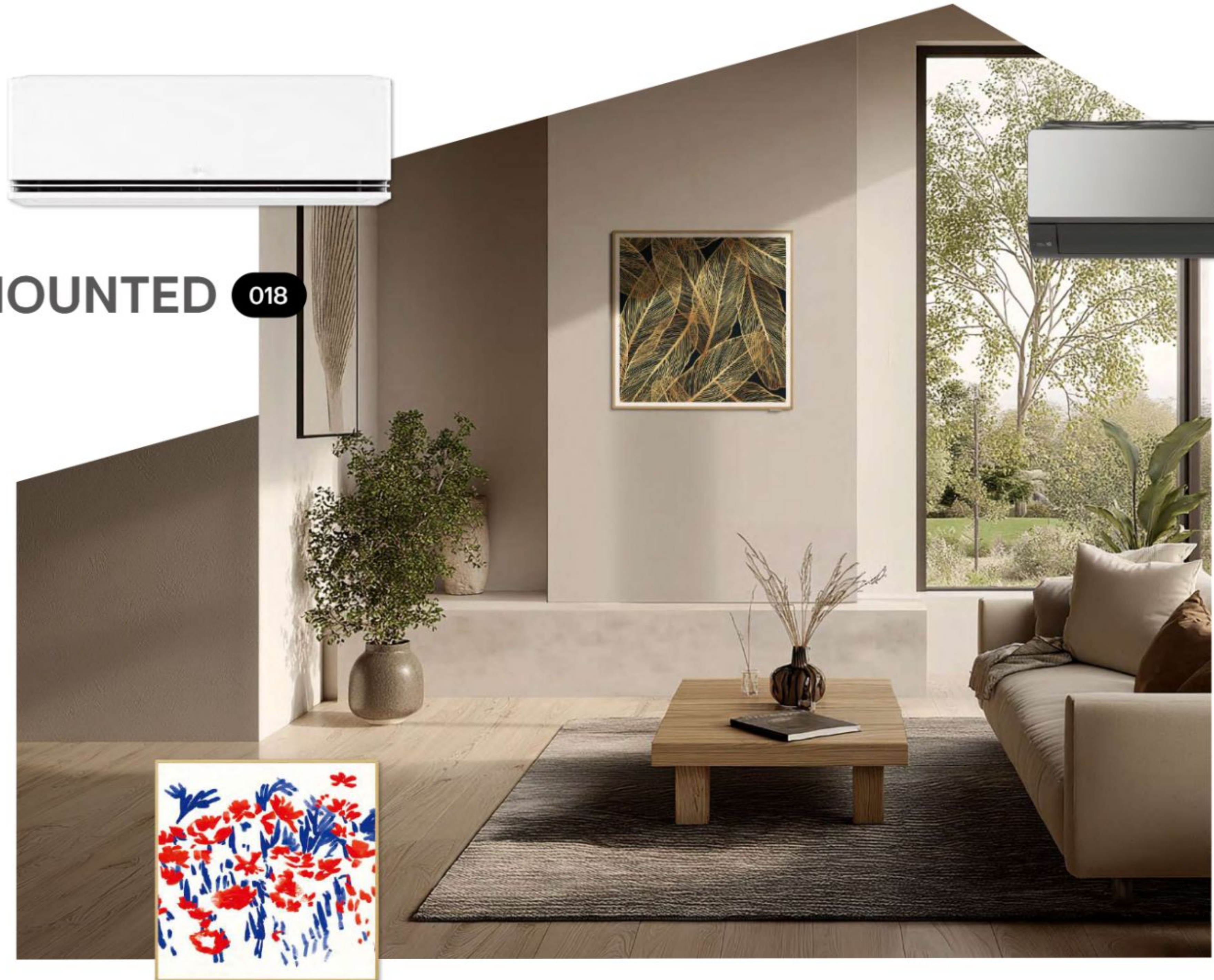


※ Smart features and voice assistant product may vary by country and model. Check with your local retailer or LG for service availability.

※ For our policy of continuous product improvement, specification, design and feature are subject to change without prior notice.  
 ※ Specifications may vary for each model.

# WALL MOUNTED 018












- ARTCOOL GALLERY PREMIUM
- ARTCOOL GALLERY SPECIAL
- ARTCOOL AI AIR MIRROR
- ARTCOOL MIRROR
- DUALCOOL AI AIR PREMIUM
- DUALCOOL AI AIR DELUXE
- DUALCOOL AI AIR SPECIAL
- DUALCOOL SPECIAL P
- DUALCOOL SPECIAL E
- DUALCOOL SPECIAL E (W LOOK)
- DUALCOOL SPECIAL W



RESIDENTIAL





WALL MOUNTED

○ Single Split Only ● Compatible ● Multi Split Only

MODEL	kBTu kW	5	7	9	12	15	18	24	
		1.5	2.1	2.6	3.5	4.2	5.3	7.0	
LG ARTCOOL™	Gallery Premium				○● A09GA2N.EEU	○● A12GA2N.EEU			
	Gallery Special				○● A09GA1.NSE	○● A12GA1.NSE			
	AI Air Mirror				○● AA09SPNS1	○● AA12SPNS1	○● AA18SPNS1		
	Mirror		● AM07BK.NSJ		○● AC09BK.NSJC	○● AC12BK.NSJC	○● AC18BK.NSKC	○● AC24BK.NSKC	
LG DUALCOOL™	AI Air Premium				○● H09S1PA.NS1	○● H12S1PA.NS1			
	AI Air Deluxe		● DM07S0DANS0		○● H09S1DA.NS1	○● H12S1DA.NS1	● PM15SND.NS1	○● H18S1DA.NS1	○● H24S1DA.NS1
	AI Air Special		● PM05SND.NS0	● PM07SND.NS0	○● P09SND.NS0	○● P12SND.NS0			
	Special P		● PM05SK.NSA	● PM07SK.NSA	○● P209EYN.CSJ1	○● P212EYN.CSJ1	● PM15SK.NSJ	○● P218EYN.CSK1	○● P224EYN.CSK1
LG DUALCOOL™	Special E		● MS07ETNSA		○● EZ09CYN.CSJ1	○● EZ12CYN.CSJ1	○● EZ18CYN.CSK1	○● EZ24CYN.CSK1	
	Special E (W Look)		● MS07EZ.NSJ		○● EZ09CSN.CSJ1	○● EZ12CSN.CSJ1	○● EZ18CSN.CSK1	○● EZ24CSN.CSK1	
	Special W				○● WZ09AWN.SNU1	○● WZ12AWN.SNU1	○● WZ18AWN.SNU1	○● WZ24AWN.SNU1	

※ Refer to multi split line up for 5, 7, 15 kBTu indoor unit connection.  
 ※ For our policy of continuous product improvement, specification, design and feature are subject to change without prior notice.

○ Single Split Only ● Compatible ● Multi Split Only

MODEL	kBTu kW	5	7	9	12	15	18	24
		1.5	2.1	2.6	3.5	4.2	5.3	7.0
LG ARTCOOL™	Gallery Premium				○ A09GA2U.EEU	○ A12GA2U.EEU		
	Gallery Deluxe				○ A09GA1U18	○ A12GA1U18		
	AI Air Mirror				○ AA09SPU18	○ AA12SPU18	○ AA18SPU18	
	Mirror				○ AC09BKUA3C	○ AC12BKUA3C	○ AC18BKUL2C	○ AC24BKU24C
LG DUALCOOL™	AI Air Premium				○ H09S1PAU18	○ H12S1PAU18		
	AI Air Deluxe				○ H09S1DAU12	○ H12S1DAU12	○ H18S1DAU18	○ H24S1DAU24
	AI Air Special				○ P09SNDU12A	○ P12SNDU12A		
	Special P				○ P209EYUCA31	○ P212EYUCA31	○ P218EYUCL21	○ P224EYUC241
LG DUALCOOL™	Special E				○ EZ09CYUCA31	○ EZ12CYUCA31	○ EZ18CYUCL21	○ EZ24CYUC241
	Special E (W Look)				○ EZ09CSUCA31	○ EZ12CSUCA31	○ EZ18CSUCL21	○ EZ24CSUC241
	Special W				○ WZ09AWUSU1	○ WZ12AWUSU1	○ WZ18AWUSU1	○ WZ24AWUSU1



# powered by DUAL Inverter HeatPump Compressor™

## What is the Dual Inverter HeatPump Compressor?

A compressor is the heart of an air conditioner. LG's Dual Inverter HeatPump Compressor solves conventional compressor problems, resulting in an air conditioner that cools faster, lasts longer, and runs quieter.



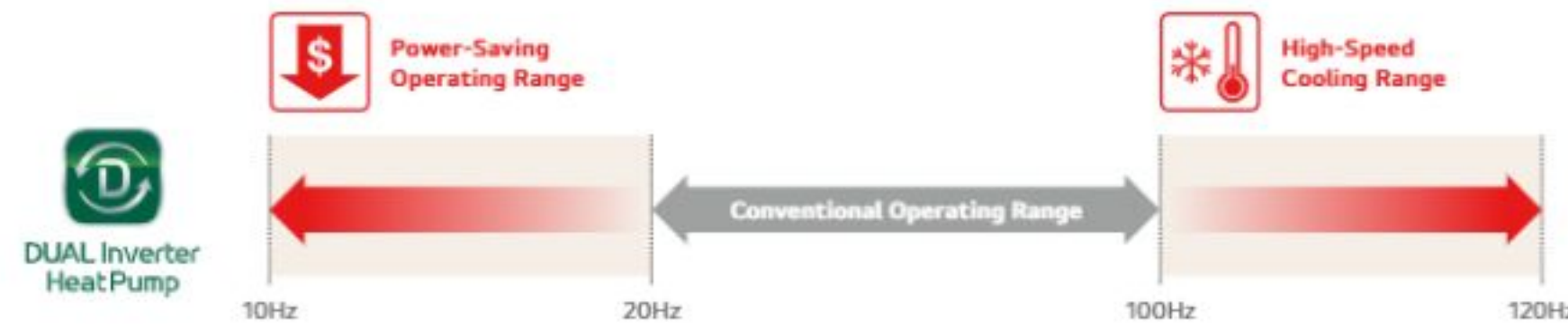
## Product Reliability Improvement

The Dual Inverter HeatPump Compressor reduces the vibration and with it the sound pressure levels. The reduction in vibration reduces the possibility of fractures occurring in the surrounding pipework.

## How It Works

### Varied-Speed Dual Rotary

A compressor motor with a wider rotational frequency that is energy efficient and has a higher volumetric quick cooling capacity than any conventional compressors.

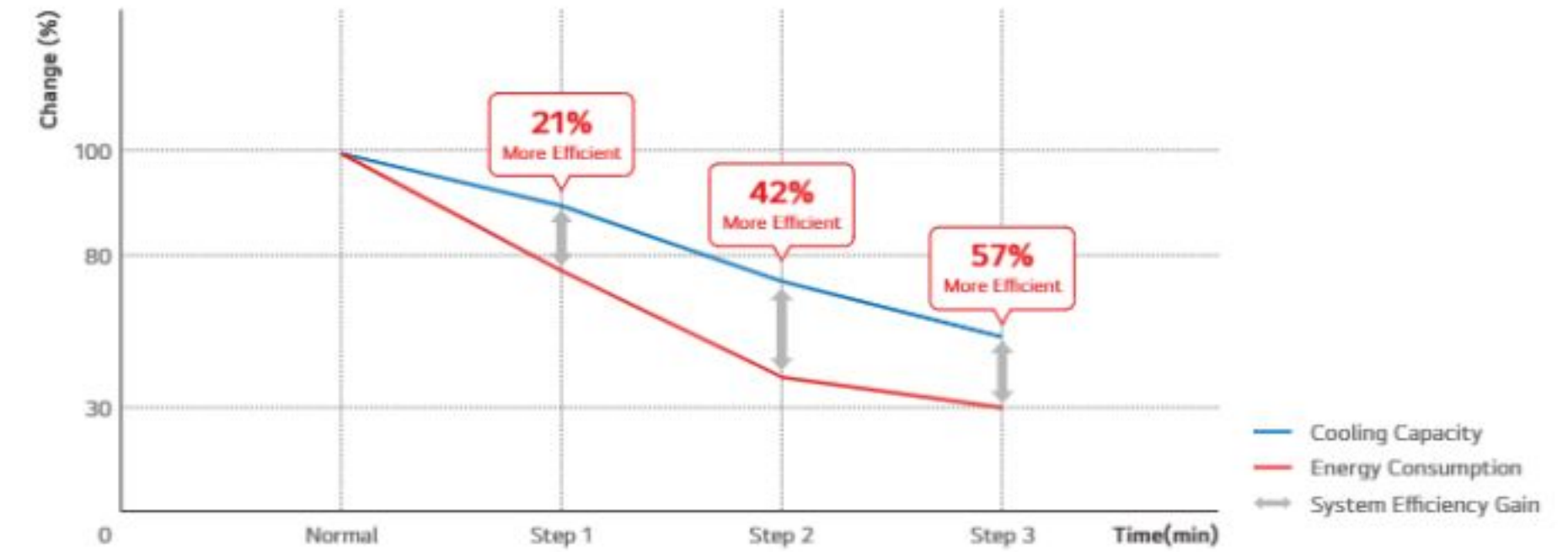


※ Dual Inverter HeatPump Compressor is applied to Single Split only.

# Active Energy Control

LG's Active Energy Control operates in four steps, dynamically adjusting both energy consumption levels and cooling capacity. This is achieved through precise control of the maximum frequency of the compressor motor.

## Concept & Benefit



※ Test Conditions : Normal Temperature (Indoor Temperature at the Cooling Mode : 28°C, Outdoor Temperature : 32°C)

※ Test Model : DC12RH

※ Depending on the experimental conditions.

※ When connected to Multi ODU, this function may not be supported

※ Active Energy Control works only cooling mode.

## How It Works

### STEP 1 100% Energy Usage

Suitable for many people and high-activity levels.



### STEP 2 80% Energy Usage

Ideal for fewer people and moderate-activity levels.



### STEP 3 60% Energy Usage

Designed for even fewer people and low-activity levels.



### STEP 4 40% Energy Usage

Intended for the fewest people with no activity.



※ The form of the remote control and the arrangement of the buttons may be different for the product.

# Low Noise

LG air conditioners operate at 19dB low noise level.

## How It Works

### LG's Unique Skew Fan

By minimizing the surface pressure of the fan blade when in contact with the air, the noise produced by the air conditioning unit is reduced to a remarkably low level.



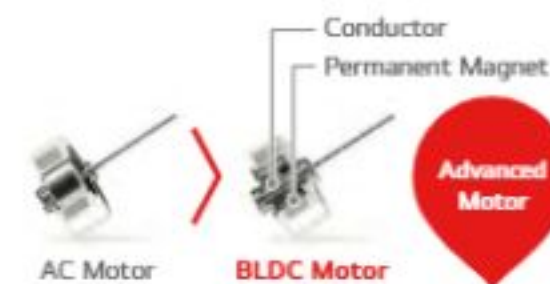
### ALVC (Active Low Vibration Control)

A speed-error component estimates the load to compensate for imbalances, which are the primary causes of vibration and noise, enabling the rotation of the motor without vibration at low Hz levels.



### BLDC Fan Motor

With strong torque and powerful ND magnetism as well as precise speed control of 13 different steps for smooth operation, the BLDC motor provides substantial air volume and high static pressure, while keeping electrical and mechanical noise lower, and making high-speed operation available.



### Conventional AC Motor

- Low efficiency.
- Heat problem during overhauling.
- Difficult precise speed control.

### BLDC Motor

- Low electric and mechanical noise.
- Durable precise speed control.

## Benefit



※ For our policy of continuous product improvement, specification, design and feature are subject to change without prior notice.  
※ Specifications may vary for each model.

※ For our policy of continuous product improvement, specification, design and feature are subject to change without prior notice.  
※ Specifications may vary for each model.

## Fast Cooling

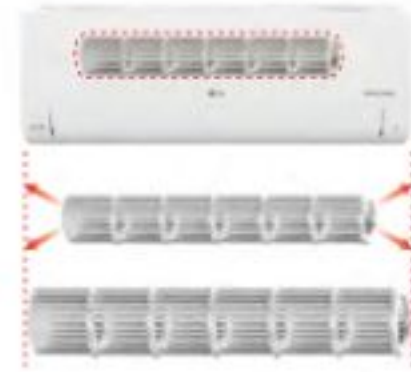
The cool airflow rapidly reaches all the corners of the room, keeping the space cool and comfortable.

### How It Works

#### Bigger Skew Fan

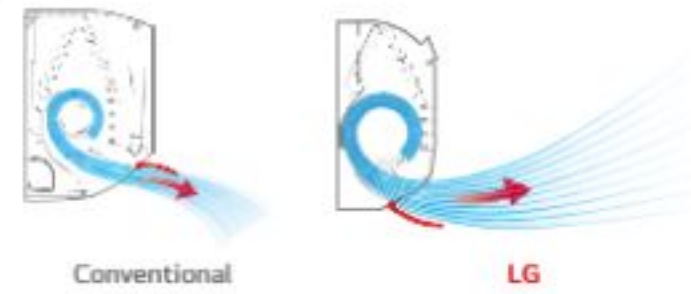
Experience a 25% larger skew fan that generates highly powerful air blasts for efficient cooling.

25%  
Larger (Fan Size)



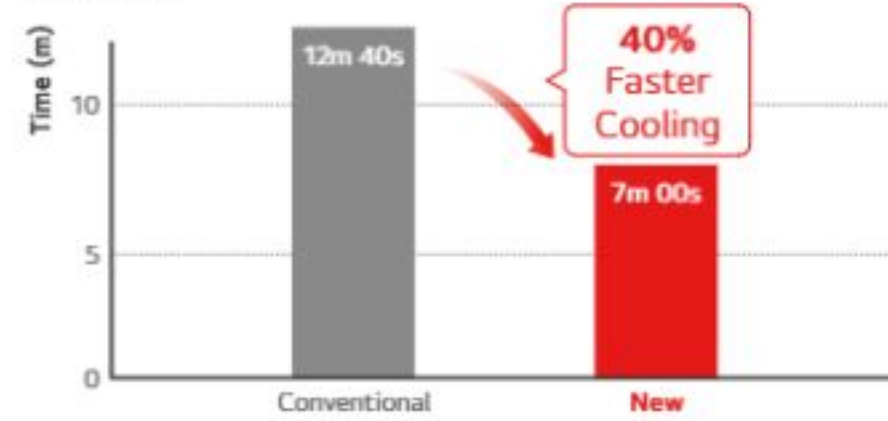
#### Cooling Outlet

The larger and optimally designed cooling outlet ensures broader coverage, rapidly cooling larger areas for a more comfortable environment.



### Test Result

#### Test Result



※ 26.5°C Reach Time Comparison  
 ※ Test Model  
 - Conventional : TS-H246SDA0  
 - New : US-Q242Kxy0  
 ※ Test Conditions :  
 Indoor temperature 33°C, Outdoor temperature 35°C,  
 Relative humidity 60%, Setting temperature 26°C  
 Test room size : 4.3 m x 7.0 m x 2.3 m

※ Depending on the experimental conditions.

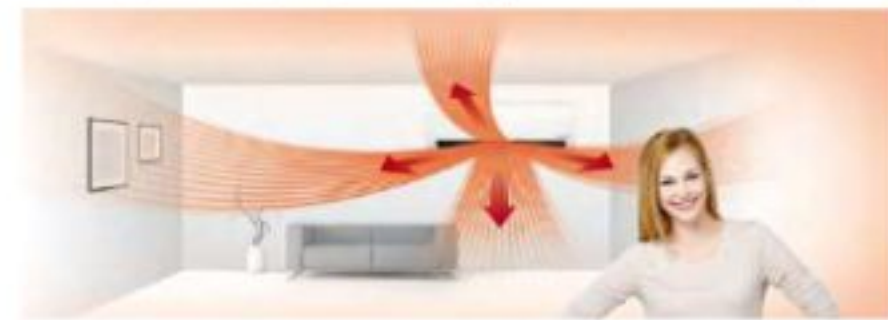
## Fast Heating

LG Residential Air Conditioners satisfy user needs by consuming less energy and heating a wider space in a shorter period. This creates a warm and comfortable living environment.

### How It Works

#### 4 Way Auto Swing (Easy Airflow Control)

The 4-Way Auto Swing feature adjusts airflow dynamically based on the surrounding environment. This ensures the optimal distribution of warm air throughout living areas, facilitating quick and efficient heating.



#### Vertical Airflow

During heating, the vane directs warm air downward, ensuring a pleasant and balanced room temperature.

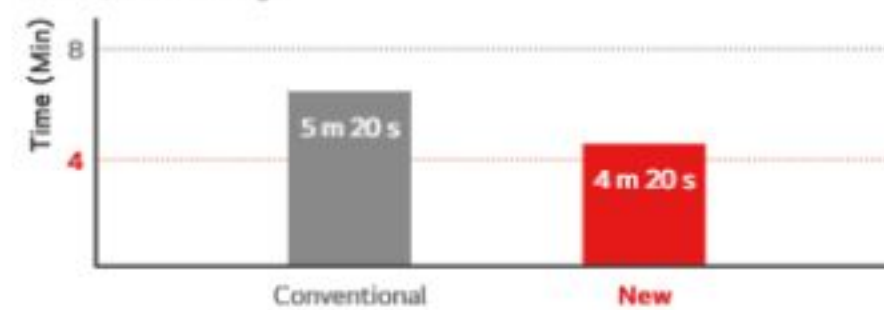


※ Depending on the experimental conditions.

※ For our policy of continuous product improvement, specification, design and feature are subject to change without prior notice.  
 ※ Specifications may vary for each model.

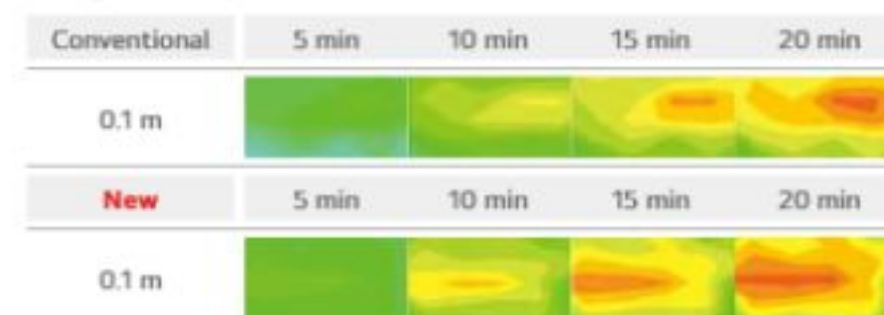
### Benefit & Test Result

#### 22% Quick Heating



※ Test Conditions :  
 Outdoor temperature : 7°C, Indoor temperature : 12°C,  
 Humidity : 87%, Remote control : 30°C Power

#### Changes in Temperature Over 20 Minutes



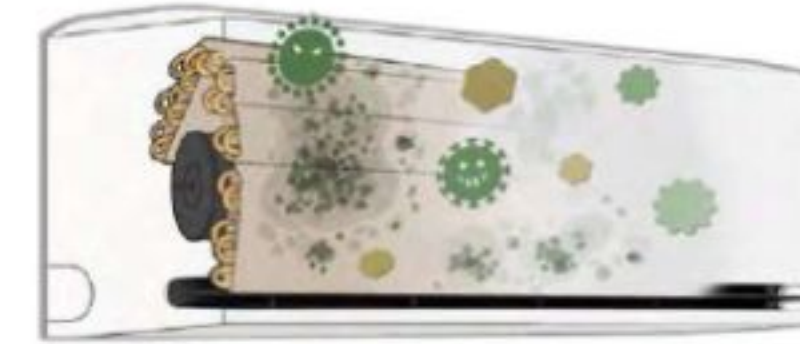
※ Test Conditions :  
 Outdoor temperature : 7°C, Indoor temperature : 12°C,  
 Humidity : 87%, Remote control : 30°C Power

## Freeze Cleaning™

Experience continuous freshness as our innovative Freeze Cleaning technology ensures a clean evaporator, allowing the passage of fresh and pure air.

### Pain Point

When using an air conditioner, concerns often arise regarding the cleanliness of the air it produces. The interior of an air conditioner, being a dark and humid environment, is prone to contamination by dust and bacteria.



Contamination with Dust & Bacteria

### How It Works

The "Freeze Cleaning" process involves creating an ice layer that effectively separates odor-causing substances, including dust and bacteria accumulated on the evaporator. When the ice melts, these contaminants are efficiently washed away with the drain water, ensuring a thorough cleaning mechanism.



#### Dirty

air conditioner  
indoor unit



#### Step. 1 Freeze

Ice layer formed between  
evaporator and odor  
causing substances



#### Step. 2 Defrost & Wash

The ice formed melts,  
washing away these  
substances down the drain



#### Step. 3 Dry

The indoor fans dries up  
the evaporator unit

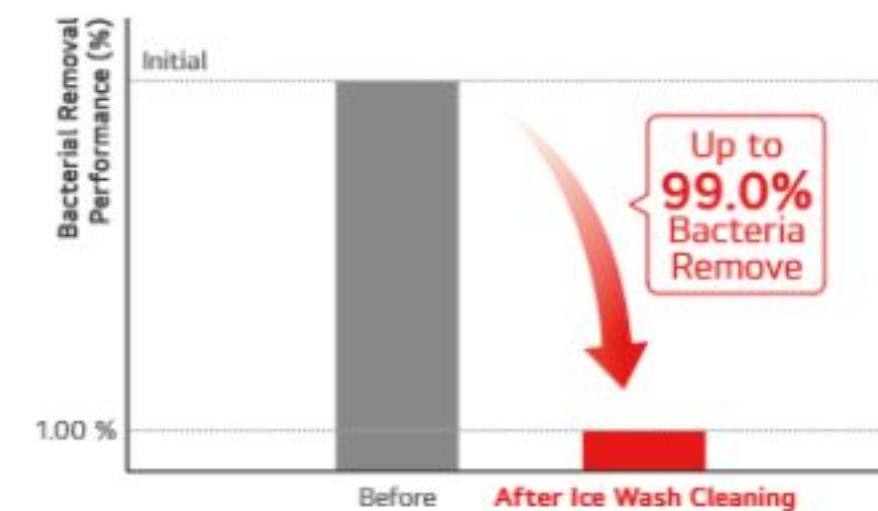
※ Working condition : 21 - 32°C (Indoor) / 21 - 37°C (Outdoor)  
 ※ The "Freeze Cleaning" mode can activate through ThinQ only.

### Benefit & Verification

Periodically clean the interior of the air conditioner, a typically challenging maintenance task, to keep the evaporator consistently clean.

#### Test Result (Bacterial Removal Performance)

Our "Freeze Cleaning" function has been rigorously tested and proven to remove up to 99.0% of residual bacteria on the evaporator, ensuring a hygienic and healthy environment.



※ This test result obtained a test report on and Pseudomonas aeruginosa 99.0% reduction rate from an internationally recognized laboratory, which may vary depending on the actual environment.  
 ※ Test institution : TÜV Rheinland  
 ※ Test Model : SQ07EETHN(SE), SQ06BDWAJA(SA), SQ07SDJBAN(SJ), SQ09MDKWAN(SK)  
 ※ Test bacteria : Up to 99% reduction rate of "Pseudomonas aeruginosa" confirmed  
 ※ When connected to Multi ODU, this function may not be supported

※ For our policy of continuous product improvement, specification, design and feature are subject to change without prior notice.  
 ※ Specifications may vary for each model.

# Plasmaster™ Ionizer<sup>++</sup>

The powerful Plasmaster™ Ionizer<sup>++</sup> removes unpleasant odors, along with Escherichia coli and Staphylococcus on surfaces, using over 8 million ions. Experience a safer, cleaner indoor environment.

## How It Works

### Reduction and Deodorization (Utilizes Over 8 Million Ions)

Plasmaster Ionizer<sup>++</sup> reduces E.coli and Staphylococcus in the surface with over 8 million ions.

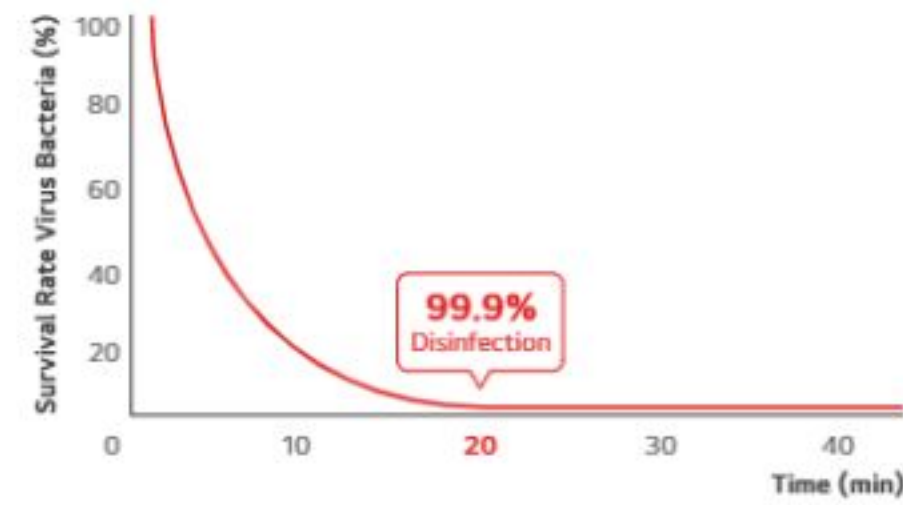


Release of Ions into Air	Surrounding Harmful Substances	OH Radical Production	Chemical Reaction	Disinfection
Ions are released into the air.	H- and O- bond to harmful particles.	OH radicals inactivate harmful substances.	OH radicals bond with H particles.	H <sub>2</sub> O molecules are produced.

## Test Result

### Effective Reduction Performance

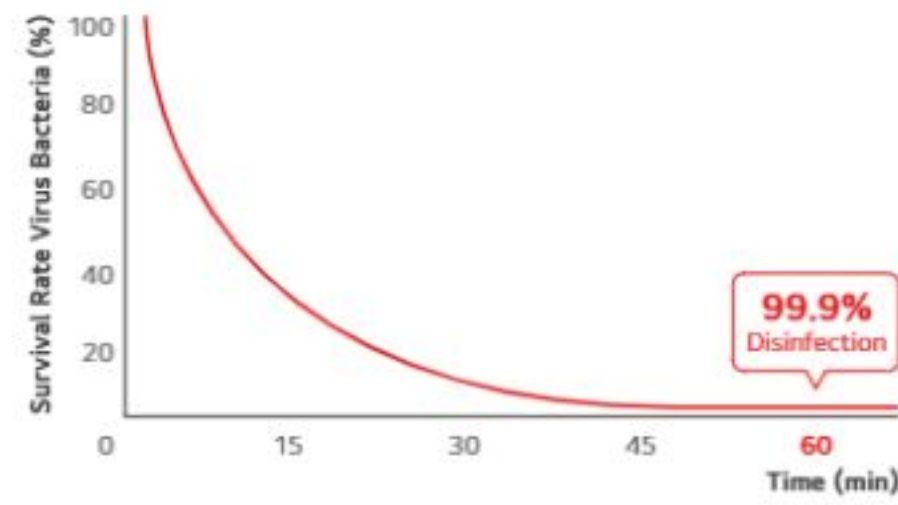
Remove Bacteria E.coli over 99.9% in 20 min



※ Test Conditions :  
Space : 30m<sup>3</sup> Chamber (Measuring with the specimen in the center of test chamber)  
Temperature & Humidity : Normal  
Bacteria : Escherichia coli  
Verified by Intertek & TÜV Rheinland

### Effective Reduction Performance

Remove Staphylococcus aureus over 99.9% in 60 min



※ Test Conditions :  
Space : 30m<sup>3</sup> Chamber (Measuring with the specimen in the center of test chamber)  
Temperature & Humidity : Normal  
Bacteria : Staphylococcus Aureus  
Verified by Intertek & TÜV Rheinland

## Benefit & Verification

The LGE's ionizer, known as "Plasmaster Ionizer<sup>++</sup>," has demonstrated the capability to remove more than 99.9% of bacteria, including Escherichia coli, Pseudomonas aeruginosa, and Staphylococcus aureus.



※ Depending on the experimental conditions.

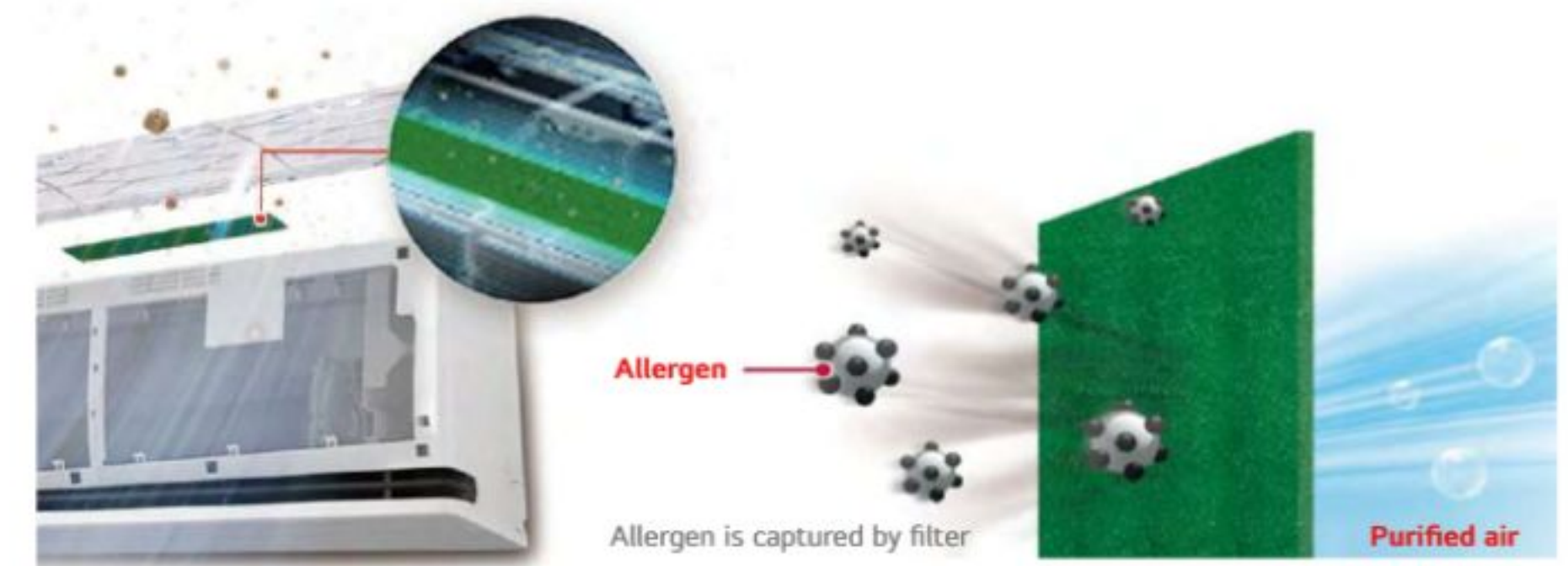
※ For our policy of continuous product improvement, specification, design and feature are subject to change without prior notice.  
※ Specifications may vary for each model.

# Allergy Filter

While airflow from an air conditioner may trigger symptoms associated with allergies or asthma, LG units feature an interior filter designed to absorb harmful particles such as dust mites, pollen, fungi, and mold that circulate in the air. This ensures a cleaner and more allergen-free environment.

## How It Works

Removes Allergy-causing Substances, Such as Dust Mites that Can be Found in the Air.



## Certification



## Certified by AllergyUK

\* Test Condition Disclaimer  
A filter is coated to absorb harmful substances that can cause allergies. The air conditioner strongly absorbs indoor air and removes allergy-causing substances, such as house dust mite, fungi, mold, floating in the air.

**Allergy UK** (a world-renowned organization) is a British medical charity dedicated to helping adults and children with their allergies. The charity was founded in 1991 as the **British Allergy Foundation**, and in 2002 the operational name of the charity became Allergy UK. Allergy UK endorses certain products that restrict or remove high levels of allergens and gives them a Seal of Approval.

※ For our policy of continuous product improvement, specification, design and feature are subject to change without prior notice.  
※ Specifications may vary for each model.

# UVnano™

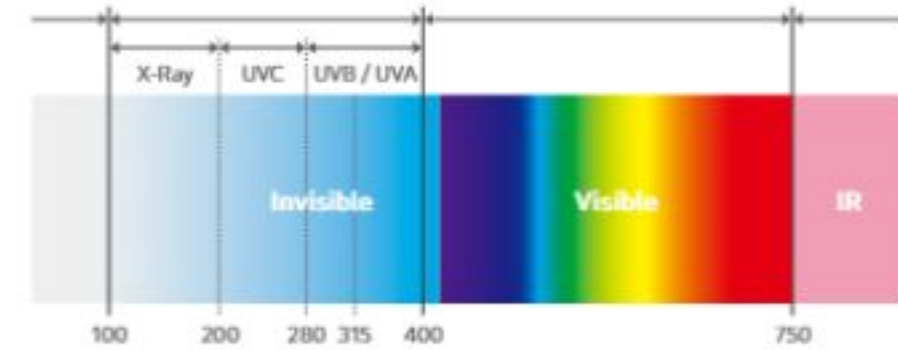
LG DUALCOOL, keeping the fan (inside the unit) 99.99% bacteria-free with ultraviolet light to ensure that the air passing through is clean too.

## What Is UVnano™ and How It Works?

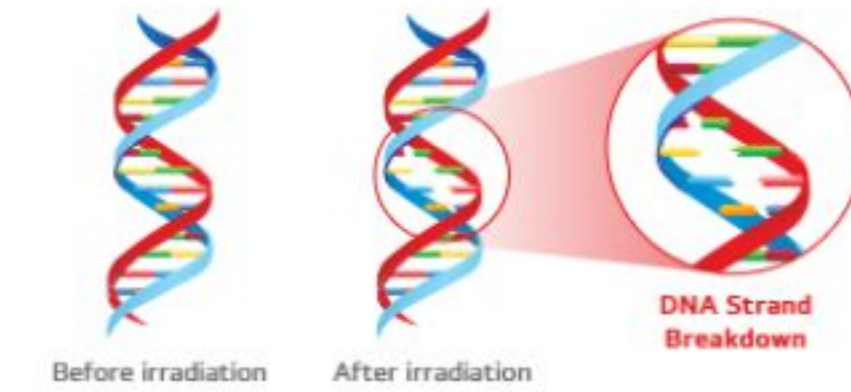
- Emit Ultraviolet rays of UVC wavelength directly damage the DNA of microorganisms (bacteria / mold / viruses) making it impossible for them to multiply.
- High absorption into DNA at 260 to 270 nm wavelengths

## DNA Absorption Efficiency by Wavelength

Electromagnetic Spectrum and Types



Destruction Nuclear Sequence (Chain)



## UVC Applied Product

LG Product



Various Product Lines



## Benefit & Verification

Keep the fan 99.99% bacteria-clean for a cleaner breeze.



Removes up to **99.99%** of bacteria from the internal fan.



- ※ Test Condition
- Test Model : S3NM12JL1GA(SJ), S3NM24K21GA(SK)
- Test Standard : LG test method with referenced to ISO 20743:2007
- Bacteria : Staphylococcus aureus, Staphylococcus epidermidis, Klebsiella pneumoniae

※ UVnano is an integrated marketing name that applies LG Electronics' entire home appliances and it is a compound of the words UV (ultraviolet) and nanometer (unit of length).

※ For our policy of continuous product improvement, specification, design and feature are subject to change without prior notice.  
 ※ Specifications may vary for each model.

# Auto Cleaning

The interior of the air conditioner is maintained clean by drying off the heat exchanger, then cleaning the interior once more.

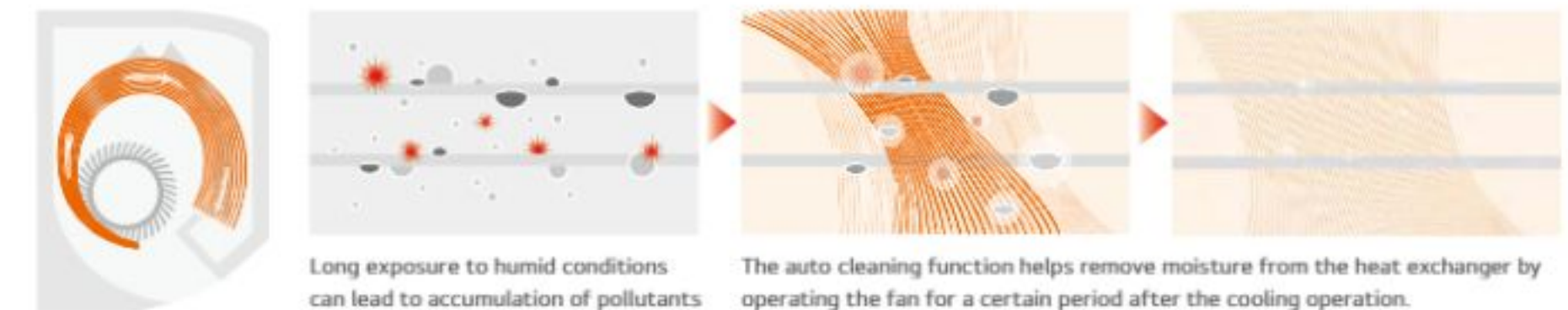
## Pain Point

After the air conditioner operates in cooling mode, the inside of the air conditioner becomes humid, making it easier to smell and contaminate. Cleaning the inside of the air conditioner is especially difficult, and many customers are curious about how to maintain it.



## How It Works

Dry-up Evaporator with Proper Air Flow



Long exposure to humid conditions can lead to accumulation of pollutants inside the air conditioner, making it difficult to expect clean air the next time you turn it on.

The auto cleaning function helps remove moisture from the heat exchanger by operating the fan for a certain period after the cooling operation.

## Benefit

### Keeps the Evaporator Clean for Fresh Wind Pass Through

Auto Cleaning function helps maintain the cleanliness of the heat exchanger by periodically drying the inside of the air conditioner, which is difficult to manage.

※ For our policy of continuous product improvement, specification, design and feature are subject to change without prior notice.  
 ※ Specifications may vary for each model.

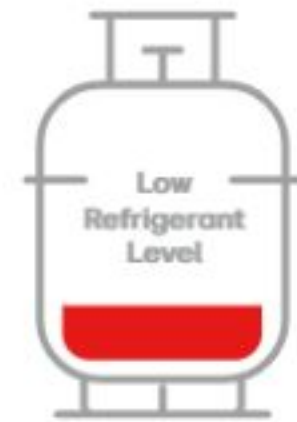
## Low Refrigerant Detection

Receive early notifications of low refrigerant levels to safeguard your air conditioner from potential damage.

### How It Works

#### Early Detection of Low Refrigerant Levels

The Air Conditioner features an automatic shutdown mechanism upon detecting low refrigerant levels, ensuring proactive protection.



### 3 Checkpoints for Low Refrigerant Level

- 1 The heat exchanger temperature is relatively cool.
- 2 The outdoor unit is functioning correctly.
- 3 Energy consumption adheres to a standard pattern.



If any of the above conditions are not met, for a maximum of four instances, after 15 minutes of Air Conditioner operation, a low refrigerant level is detected, triggering an automatic shutdown for enhanced system safety.

※ This function only works under the following conditions  
 - Indoor/Outdoor temperature is at least 20°C  
 - Cooling and dehumidification mode

### Benefit

#### Longer Lifespan for Air Conditioner



When a low refrigerant level is detected, the display alternately shows "CH" and "38" to provide a clear visual indication of the issue.

※ Depending on the experimental conditions.  
 ※ When connected to Multi ODU, this function may not be supported.



※ Some models show CH and 38 alternately on the display.

※ For our policy of continuous product improvement, specification, design and feature are subject to change without prior notice.  
 ※ Specifications may vary for each model.

## Low Heating

Protect Your Home, Even When You're Away.

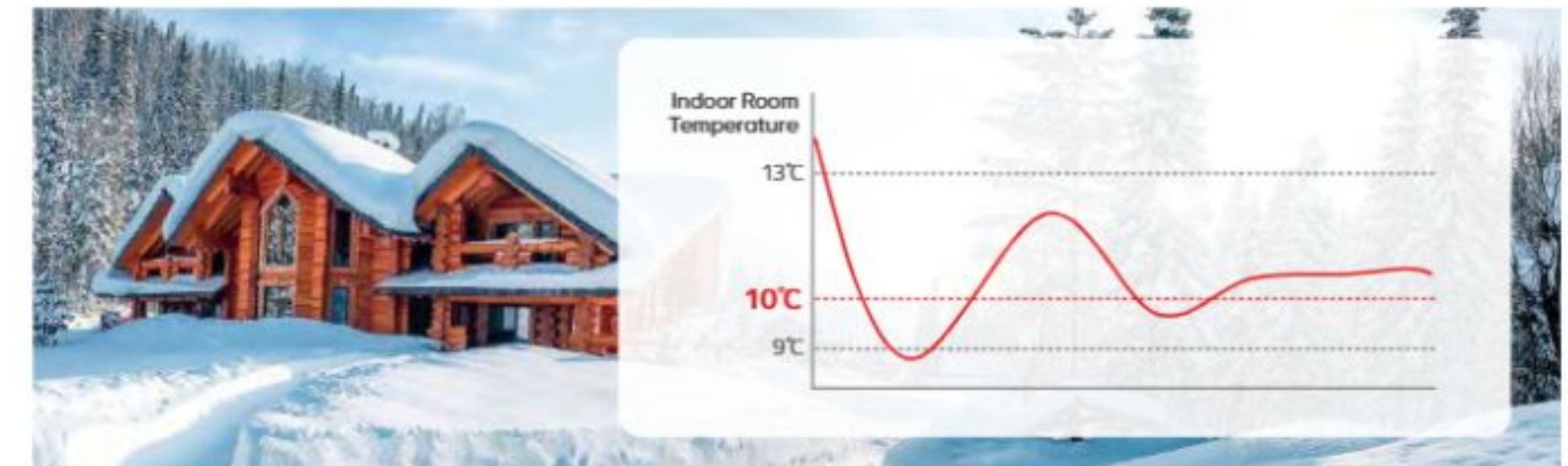
### Pain Point

Worry less about the cold wreaking havoc on your home while you're away. Freezing temperatures can damage tap water systems, furniture, and household appliances, leaving you with costly repairs and discomfort.



### How It Works

Activate the Low Heating function to maintain a safe room temperature, even when you're not home. Instead of stopping completely, the air conditioner regulates the room temperature to around 10°C (or 8°C - 15°C\*). If the temperature drops to 9°C (or 7°C\*), the system activates the compressor to restore it to 10°C (or 8°C - 15°C\*). This gentle maintenance prevents freezing while conserving energy.



\* Low Heating function to set indoor temperature applies differently depending on the model.  
 1) Model that automatically sets the indoor temperature to 10°C when the Low Heating function is activated: AI Air Mirror, AI Air Premium, AI Air Deluxe, and AI Air Special  
 2) Model that manually sets the indoor temperature to 8°C - 15°C when the Low Heating function is activated: DUALCOOL Special P Series & DUALCOOL Special E Series  
 ※ This function is only available with the Heating mode. "LH" is displayed on the indoor unit. During "Low Heating" mode operation, the fan speed of the indoor unit is fixed by high winds, and the fan speed and wind direction of the indoor unit cannot be controlled.

### Benefit

With Low Heating, you can travel with peace of mind, knowing your living space is protected from freezing temperatures. Minimal heating ensures comfort and safety for your home while keeping energy consumption low.



※ For our policy of continuous product improvement, specification, design and feature are subject to change without prior notice.  
 ※ Specifications may vary for each model.

## Embedded Wi-Fi

Effortlessly manage your air conditioners using Android or iOS smartphones with the embedded Wi-Fi feature.

### ThinQ

Download the ThinQ app from Google or Apple app stores.

**ThinQ™**



### How It Works

#### ① Turn on "ThinQ" on Your Air Conditioner

Benefit from the embedded Wi-Fi modem and enjoy unlimited innovation.



#### ③ Enjoy Unlimited Innovation

Once registered, experience seamless connectivity and explore the innovative features offered through ThinQ.

#### Wi-Fi Connectivity

Experience individualized comfort with Wi-Fi connectivity. Each family member can customize the air conditioner temperature and fan speed using their app, saving preferences for future use. These personalized settings can be stored for each specific air conditioner.

#### Multiple Devices



※ Can be controlled by multiple users, but not simultaneously.

#### Multi-Control



#### ② Easy Registration and Log-in

Follow the interactive setup steps to activate ThinQ's impressive features by setting up your LG Account.



### Benefit

#### Simple Operation for Various Functions



#### Integrated Home Appliances Control

Monitor and control your LG appliances from one place.



Access Your Air Conditioner Anytime and from Anywhere with a Wi-Fi equipped device and LG's exclusive control app, ThinQ.



※ For our policy of continuous ThinQ App improvement, specification, design and features are subject to change without prior notice.

※ For our policy of continuous product improvement, specification, design and feature are subject to change without prior notice.  
 ※ Specifications may vary for each model.

## Smart Diagnosis

Smart Diagnosis allows you to monitor the health of your air conditioner remotely.

### What Is Smart Diagnosis?

Smart Diagnosis allows users to conveniently check setup, installation, troubleshooting and other information directly from a smartphone.

- ※ Builds upon widespread smartphone use and offers greater USP diversification
- ※ Perfect for consumers who are unable to view information about their air conditioner via a display or remote control.

### How It Works

#### When Connected to Wi-Fi

By using "ThinQ" App and clicking "Start Smart Diagnosis", monitor and check diagnosis results conveniently via Wi-Fi.

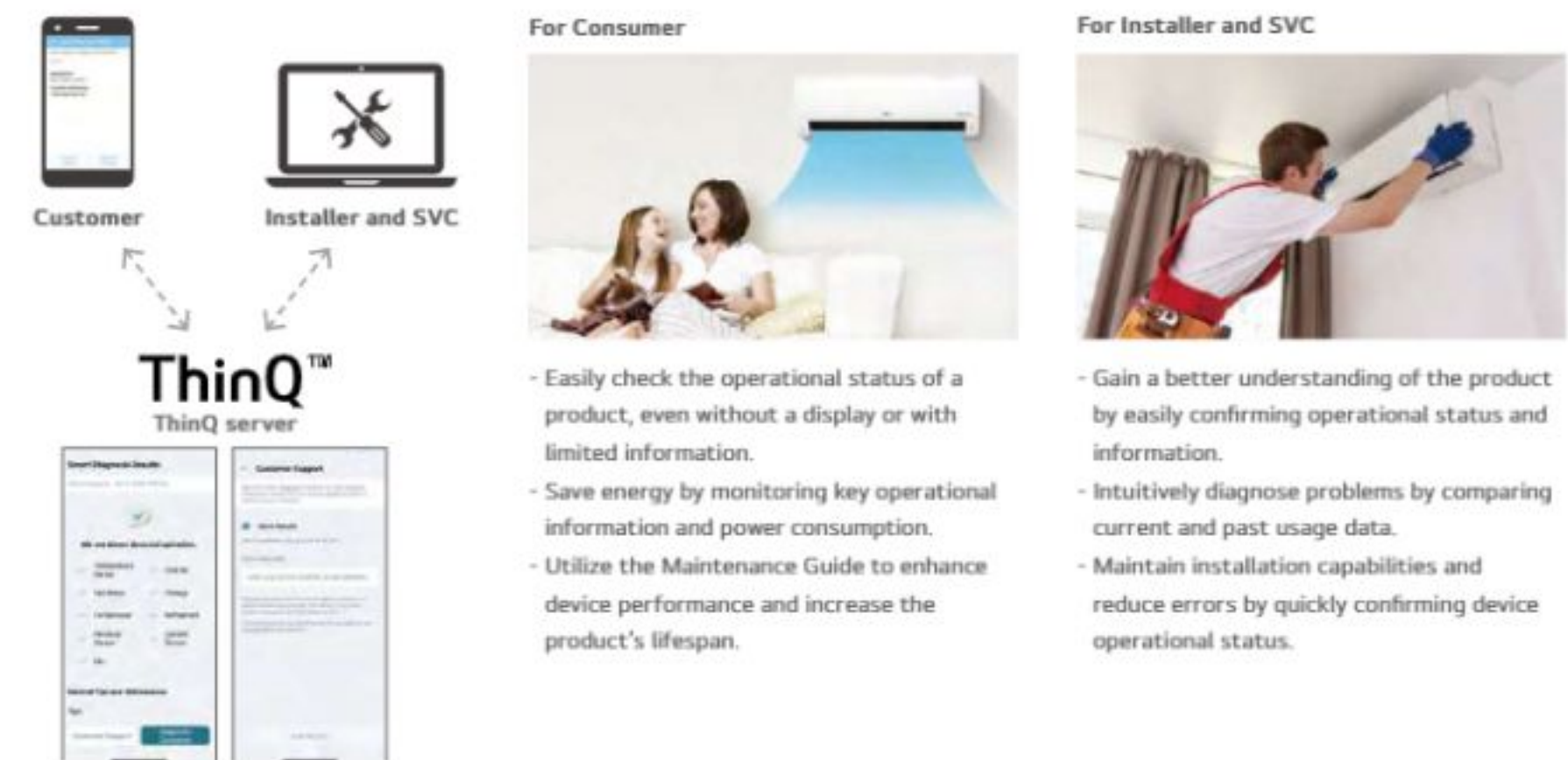


#### When Not Connected to Wi-Fi (Audible Diagnosis)



### Benefit

Easily understandable error messages simplify the process of identifying solutions and make reaching out to the service center simple and convenient.



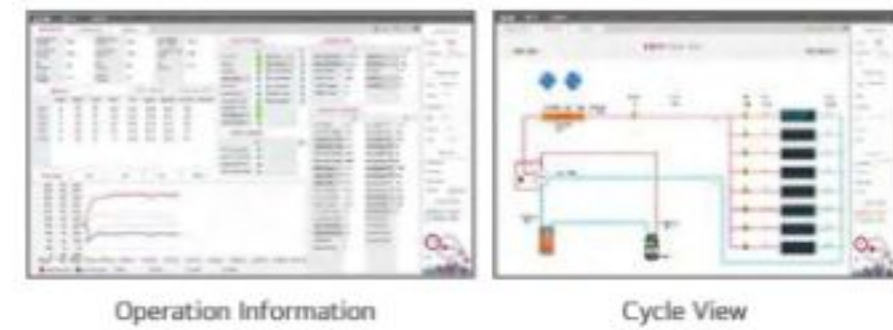
※ For our policy of continuous ThinQ App improvement, specification, design and features are subject to change without prior notice.  
 ※ When connected to Multi ODU, this function may not be supported.

※ For our policy of continuous product improvement, specification, design and feature are subject to change without prior notice.  
 ※ Specifications may vary for each model.

# Mobile LGMV (Monitoring View)

LGMV simplifies the inspection (diagnosis) and monitoring of air conditioning units for engineers, allowing easy access through your smartphone or PC.

## PC Version



- IDU & ODU Information
- Cycle & Valves
- Sensors & Electricity
- Cycle Diagram
- Actuator Information

## Smartphone Version



Technicians can not only review cycle information through diagrams and graphs but can also easily check error statuses (Troubleshooting guide) and take immediate action.

※ For Android or iOS Users : Search for "Mobile LGMV" on Google Play or the Apple Store and proceed with the download.  
 ※ Additional Requirement : A Wi-Fi modem (PWFMD0200) is required as an optional accessory.

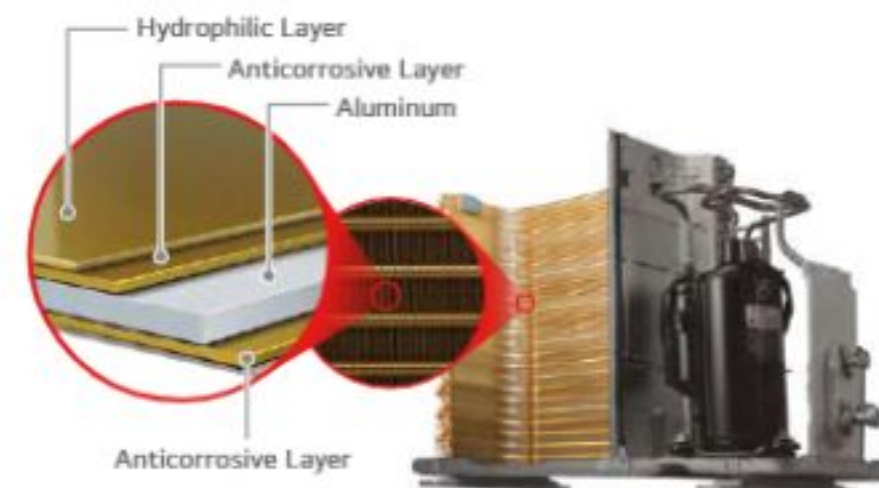
# Gold Fin™

The Gold Fin™ coating protects the surface of the heat exchanger from unnecessary wear and corrosion.

## How It Works

### Corrosion-resistant Protective Layer

The gold-colored special coating on the fin of the heat exchanger prevents corrosion, extending the life of the unit.



※ Depending on the experimental conditions.

## Test Result

### Conventional Fin



### Gold Fin™



※ Test Condition  
 - Test standard : ISO9227:2017 , ISO10289:1999, ASTM B 117 Salt spray test  
 - Test Sample : Al Fin sheet (100µm, 70 X 150 mm) + Organic Coating (1.65g/m²)  
 - Setting Condition : (35±2)°C, 6.5 - 7.2 pH, (5±1)% NaCl salt fog spray, 5000 h  
 - Test Result : Not More than 0.05% of corrosion area ratio. (over R.N. 9.5)



TUV Verify that the corrosion improved "Gold Fin" has less than 0.05% corrosion area after 5000 hours salt spray test. TUV has verified that the corrosion area of Gold Fin™ is not more than 0.05% (over R.N. 9.5)

※ For our policy of continuous product improvement, specification, design and feature are subject to change without prior notice.  
 ※ Specifications may vary for each model.



## Masterpiece of Your Interior : ARTCOOL Gallery Premium

Transform your space with the perfect blend of functionality and art. The ARTCOOL 2<sup>nd</sup> Evolution Gallery seamlessly integrates style, technology, and comfort into your home.

- ThinQ UP / Pre-Cool & Heat by ThinQ App.
- Stylish Design: A wood frame with an interior design aesthetic (option: black frame) elevates any room's décor.
- FHD Display: A 27-inch full HD display graces the front panel, offering dynamic customization.
- Personal Touch: Easily upload and change images or showcase your own photos via the LG ThinQ app, making it uniquely yours.
- Smart Display: The air conditioner widget keeps you informed about energy usage, maintenance needs, and operational status at a glance.
- Comfort & Hygiene.
- 3D Indirect Airflow & Hidden Vane Control: Provides optimal cooling without the discomfort of direct wind.
- Plasmaster™ Ionizer ++: Removes 99.9% of adhering bacteria for cleaner air.
- Freeze Cleaning & Auto Clean+: Ensures the unit stays spotless with innovative cleaning modes.

With the ARTCOOL 2<sup>nd</sup> Evolution Gallery, you're not just getting an air conditioner-you're elevating your interior with a masterpiece of design and technology.



## Single Combination

SET UNIT			A09GA2S.EEU	A12GA2S.EEU
Capacity	Min - Rated - Max	kW	0.89 - 2.6 - 3.7	0.89 - 3.7 - 4.0
Power Input	Min - Rated - Max	W	200 - 623 - 1,400	200 - 1,057 - 1,450
Running Current	Min - Rated - Max	A	1.1 - 3.0 - 6.0	1.1 - 4.6 - 6.2
EER		W/W	4.17	3.5
SEER		-	7.3	7.0
P design C		kW	2.6	3.7
Energy Label Grade (A+++ to D Scale)		-	A++	A++
Annual Energy Consumption		kWh	124	184
Capacity	Min - Rated - Max	kW	0.89 - 3.3 - 4.1	0.89 - 4.0 - 4.7
	Max (-7 °C)	kW	2.6	3.2
Power Input	Min - Rated - Max	W	200 - 808 - 1,650	200 - 1,078 - 1,650
Running Current	Min - Rated - Max	A	1.1 - 3.7 - 7.2	1.1 - 4.8 - 7.2
CDP		W/W	4.08	3.71
SCOP (Average / Warmer)	Average (Warmer)	-	4.3 (5.0)	4.3 (5.0)
P design H		kW	2.8	2.8
Energy Label Grade (A+++ to D Scale)	Average (Warmer)	-	A+ (A++)	A+ (A++)
Annual Energy Consumption	Average (Warmer)	kWh	911 (413)	911 (413)
INDOOR UNIT			A09GA2N.EEU	A12GA2N.EEU
Dimensions (W x H x D)	Net	mm	652 x 158 x 652	652 x 158 x 652
	Shipping	mm	744 x 235 x 736	744 x 235 x 736
Weight	Net	kg	20	20
Air Filter Type			Pre Filter (Washable)	Pre Filter (Washable)
Air Flow Rate	Cooling	L / M / H / SH	6.0 / 8.0 / 10.0 / 11.0	6.0 / 8.0 / 10.0 / 11.0
	Heating	L / M / H / SH	6.0 / 8.0 / 10.0 / 11.0	6.0 / 8.0 / 10.0 / 11.0
Sound Pressure Level	Cooling	SL / L / M / H / SH	20 / 28 / 36 / 42 / -	20 / 28 / 36 / 42 / -
	Heating	L / M / H / SH	28 / 36 / 42 / -	28 / 36 / 42 / -
Sound Power Level		dB(A)	60	60
Moisture Removal		l/h	1.1	1.3
Drain Hose Size	O.D, I.D	mm	21.5, 16	21.5, 16
OUTDOOR UNIT			A09GA2U.EEU	A12GA2U.EEU
Dimensions (W x H x D)	Net	mm	770 x 545 x 288	770 x 545 x 288
	Shipping	mm	920 x 593 x 388	920 x 593 x 388
Weight	Net	kg	29.9	29.9
Air Flow Rate	Max	m³/min	35.0	35.0
Sound Pressure Level	Cooling	Rated	50	50
	Heating	Rated	53	53
Sound Power Level	Rated	dB(A)	62	62
Operation Range	Cooling	°C DB	-15 - 48	-15 - 48
	Heating	°C DB	-15 - 24	-15 - 24
Power Supply		Ø V, Hz	1, 220 - 240, 50	1, 220 - 240, 50
Circuit Breaker		A	15	15
Power Supply Cable		No. x mm²	3 x 1.0	3 x 1.0
Power and Communication Cable		No. x mm²	4 x 1.0 (Including Earth)	4 x 1.0 (Including Earth)
	Type / GWP (Global Warming Potential)		R32 / 6/75	R32 / 6/75
Refrigerant	Pre Charged Amount / t-CO <sub>2</sub> eq	kg	0.8 / 0.540	0.8 / 0.540
	Chargeless	m	10	10
	Additional Charge	g/m	20	20
Piping	Size	Liquid	Ø 6.35	Ø 6.35
		Gas	Ø 9.52	Ø 9.52
		Min / Standard / Max	3 / 7.5 / 20	3 / 7.5 / 20
Piping Connection	Piping Length	No Charge (Chargeless)	10	10
	Max. Elevation Difference	m	10	10
Compressor	Type		DualCool Inverter	DualCool Inverter
ACCESSORIES & OTHERS				
Multi Compatible			Yes	Yes
PI4B5			Yes	Yes
Dry Contact			Yes	Yes
Wired Remote Controller			Yes	Yes

\* : Sound Pressure is not a value declared on Eurovent Program.  
 ※ This product contains Fluorinated greenhouse gases (R32).  
 ※ S : Sleep / L : Low / M : Medium / H : High  
 ※ GWP : Global warming potential  
 ※ t-CO<sub>2</sub>eq : F-gas(kg)\*GWP/1,000  
 ※ Y : Available or Applied / - : Not Available or Not Applied  
 ※ For our policy of continuous product improvement, specification, design and feature are subject to change without prior notice.



Designed Air Conditioner to Fit Perfectly into Anywhere

- ARTCOOL 2<sup>nd</sup> Evolution ARTCOOL Gallery Special to seamlessly integrate with your senses and interior.
- ThinQ UP / Pre-Cool & Heat by ThinQ App.
- Wood frame, interior design style. (Black frame is option)
- Easily change images and display your own style.
- Air Flow : 3D Indirect Air Flow, Hidden Vane Control, Plasmaster™ Ionizer++, Comfort Humidity Control, Freeze Cleaning, Auto Clean+.



EU participates in the ICP programme for EUROVENT AC program. Check ongoing validity of certification www.eurovent-certification.com

Single Combination

SET UNIT			A09GA1SSE	A12GA1SSE
Cooling	Capacity	Min - Rated - Max	0.89 - 2.6 - 3.7	0.89 - 3.7 - 4.0
	Power Input	Min - Rated - Max	200 - 623 - 1,400	200 - 1,057 - 1,450
	Running Current	Min - Rated - Max	1.1 - 3.0 - 6.0	1.1 - 4.6 - 6.2
	EER		4.17	3.5
	SEER		7.3	7.0
	P design C		2.6	3.7
	Energy Label Grade (A+++ to D Scale)		A++	A++
Annual Energy Consumption		124	184	
Heating	Capacity	Min - Rated - Max Max (-7 °C)	0.89 - 3.3 - 4.1 2.6	0.89 - 4.0 - 4.7 3.2
	Power Input	Min - Rated - Max	200 - 808 - 1,650	200 - 1,078 - 1,650
	Running Current	Min - Rated - Max	1.1 - 3.7 - 7.2	1.1 - 4.8 - 7.2
	COP		4.08	3.71
	SCOP (Average / Warmer)	Average (Warmer)	4.3 (5.0)	4.3 (5.0)
	P design H		2.8	2.8
	Energy Label Grade (A+++ to D Scale)	Average (Warmer)	A+ (A++)	A+ (A++)
Annual Energy Consumption	Average (Warmer)	911 (413)	911 (413)	
INDOOR UNIT			A09GA1NSE	A12GA1NSE
Dimensions (W x H x D)	Net	mm	652 x 158 x 652	652 x 158 x 652
	Shipping	mm	744 x 235 x 736	744 x 235 x 736
Weight	Net	kg	16.7	16.7
Air Filter Type			Pre Filter (Washable)	Pre Filter (Washable)
Air Flow Rate	Cooling	L / M / H / SH	m <sup>3</sup> /min	6.0 / 8.0 / 10.0 / 11.0
	Heating	L / M / H / SH	m <sup>3</sup> /min	6.0 / 8.0 / 10.0 / 11.0
Sound Pressure Level	Cooling	SL / L / M / H / SH	dB(A)	20 / 28 / 36 / 42 / -
	Heating	L / M / H / SH	dB(A)	28 / 36 / 42 / -
Sound Power Level			60	60
Moisture Removal		l/h	1.1	1.3
Drain Hose Size	O.D, I.D	mm	21.5, 16	21.5, 16
OUTDOOR UNIT			A09GA1U1B	A12GA1U1B
Dimensions (W x H x D)	Net	mm	770 x 545 x 288	770 x 545 x 288
	Shipping	mm	920 x 593 x 388	920 x 593 x 388
Weight	Net	kg	29.9	29.9
Air Flow Rate	Max	m <sup>3</sup> /min	35	35
Sound Pressure Level	Cooling	Rated	50	50
	Heating	Rated	53	53
Sound Power Level	Rated	dB(A)	62	62
Operation Range	Cooling	°C DB	-15 - 48	-15 - 48
	Heating	°C DB	-15 - 24	-15 - 24
Power Supply		Ø, V, Hz	1, 220 - 240, 50	1, 220 - 240, 50
Circuit Breaker		A	15	15
Power Supply Cable		No. x mm <sup>2</sup>	3 x 1.0	3 x 1.0
Power and Communication Cable		No. x mm <sup>2</sup>	4 x 1.0 (Including Earth)	4 x 1.0 (Including Earth)
	Type / GWP (Global Warming Potential)		R32 / 675	R32 / 675
Refrigerant	Pre Charged Amount / t-CO <sub>2</sub> eq	kg	0.8 / 0.540	0.8 / 0.540
	Chargeless	m	10	10
Additional Charge		g/m	20	20
Piping	Size	Liquid	mm	Ø 6.35
	Gas	mm	Ø 9.52	Ø 9.52
Piping Connection	Piping Length	Min / Standard / Max	m	3 / 7.5 / 20
	No Charge (Chargeless)	m	10	10
Compressor	Max. Elevation Difference	m	10	10
	Type		DualCool Inverter	DualCool Inverter
ACCESSORIES & OTHERS				
Multi Compatible			Yes	Yes
PI4B5			Yes	Yes
Dry Contact			Yes	Yes
Wired Remote Controller			Yes	Yes

\* : Sound Pressure is not a value declared on Eurovent Program.  
 ※ This product contains Fluorinated greenhouse gases (R32).  
 ※ S : Sleep / L : Low / M : Medium / H : High  
 ※ GWP : Global warming potential  
 ※ t-CO<sub>2</sub>eq : F-gas(kg)\*GWP/1,000  
 ※ Y : Available or Applied / - : Not Available or Not Applied  
 ※ For our policy of continuous product improvement, specification, design and feature are subject to change without prior notice.



Single Combination

SET UNIT			AA09SPS1	AA12SPS1	AA18SPS1
Cooling	Capacity	Min - Rated - Max	0.89 - 2.5 - 4.0	0.89 - 3.5 - 4.35	0.9 - 5.0 - 5.5
	Power Input	Min - Rated - Max	160 - 510 - 1,400	160 - 815 - 1,500	210 - 1,545 - 1,940
	Running Current	Min - Rated - Max	1.3 - 3.1 - 6.0	1.3 - 3.75 - 6.5	1.6 - 6.9 - 9.0
	EER		4.9	4.29	3.24
	SEER		9.7	9.5	7.0
	P design C		2.5	3.5	5.0
	Energy Label Grade (A+++ to D Scale)		A+++	A+++	A++
Annual Energy Consumption		90	129	250	
Heating	Capacity	Min - Rated - Max Max (-7 °C)	0.65 - 3.2 - 5.5 3.6	0.65 - 4.0 - 6.0 4.0	0.9 - 5.8 - 6.4 4.65
	Power Input	Min - Rated - Max	160 - 640 - 1,600	160 - 850 - 1,750	210 - 1,560 - 2,000
	Running Current	Min - Rated - Max	1.3 - 3.2 - 7.0	1.3 - 4.0 - 7.5	1.6 - 7.0 - 9.5
	COP		5.0	4.71	3.72
	SCOP (Average / Warmer)	Average (Warmer)	5.1 (6.1)	5.1 (6.1)	4.3 (5.6)
	P design H		2.8	2.8	3.9
	Energy Label Grade (A+++ to D Scale)	Average (Warmer)	A+++ (A+++)	A+++ (A+++)	A+ (A+++)
Annual Energy Consumption	Average (Warmer)	769 (344)	769 (344)	1,270 (534)	
INDOOR UNIT			AA09SPNS1	AA12SPNS1	AA18SPNS1
Dimensions (W x H x D)	Net	mm	935 x 307 x 235	935 x 307 x 235	935 x 307 x 235
	Shipping	mm	1,007 x 383 x 296	1,007 x 383 x 296	1,007 x 383 x 296
Weight	Net	kg	13.7	13.7	13.7
Air Filter Type			Allergy Filter / Pre Filter (Washable)	Allergy Filter / Pre Filter (Washable)	Allergy Filter / Pre Filter (Washable)
Air Flow Rate	Cooling	L / M / H / SH	m <sup>3</sup> /min	5.7 / 8.1 / 10.5 / 13.6	5.7 / 8.1 / 10.5 / 13.6
	Heating	L / M / H / SH	m <sup>3</sup> /min	5.7 / 8.1 / 10.5 / 14.2	5.7 / 8.1 / 10.5 / 14.2
Sound Pressure Level	Cooling	SL / L / M / H / SH	dB(A)	19 / 27 / 35 / 40 / 47	19 / 27 / 35 / 40 / 47
	Heating	L / M / H / SH	dB(A)	27 / 35 / 40 / 48	27 / 35 / 40 / 48
Sound Power Level			60	60	
Moisture Removal		l/h	1.15	1.3	
Drain Hose Size	O.D, I.D	mm	21.5, 16	21.5, 16	
OUTDOOR UNIT			AA09SPU1B	AA12SPU1B	AA18SPU1B
Dimensions (W x H x D)	Net	mm	770 x 545 x 288	770 x 545 x 288	770 x 545 x 288
	Shipping	mm	919 x 599 x 392	919 x 599 x 392	919 x 599 x 392
Weight	Net	kg	29.9	29.9	32.5
Air Flow Rate	Max	m <sup>3</sup> /min	35	35	35
Sound Pressure Level	Cooling	Rated	49	49	53
	Heating	Rated	51	51	55
Sound Power Level	Rated	dB(A)	60	60	65
Operation Range	Cooling	°C DB	-15 - 48	-15 - 48	-15 - 48
	Heating	°C DB	-15 - 24	-15 - 24	-15 - 24
Power Supply		Ø, V, Hz	1, 220 - 240, 50	1, 220 - 240, 50	1, 220 - 240, 50
Circuit Breaker		A	15	15	20
Power Supply Cable		No. x mm <sup>2</sup>	3 x 1.0	3 x 1.0	3 x 1.5
Power and Communication Cable		No. x mm <sup>2</sup>	4 x 1.0 (Including Earth)	4 x 1.0 (Including Earth)	4 x 1.0 (Including Earth)
	Type / GWP (Global Warming Potential)		R32 / 675	R32 / 675	R32 / 675
Refrigerant	Pre Charged Amount / t-CO <sub>2</sub> eq	kg	0.9 / 0.608	0.9 / 0.608	1.13 / 0.763
	Chargeless	m	12.5	12.5	7.5
Additional Charge		g/m	20	20	
Piping	Size	Liquid	mm	Ø 6.35	Ø 6.35
	Gas	mm	Ø 9.52	Ø 9.52	Ø 12.70
Piping Connection	Piping Length	Min / Standard / Max	m	3 / 7.5 / 20	3 / 7.5 / 20
	No Charge (Chargeless)	m	12.5	12.5	7.5
Compressor	Max. Elevation Difference	m	10	10	10
	Type		DualCool Inverter	DualCool Inverter	DualCool Inverter
ACCESSORIES & OTHERS					
Multi Compatible			Yes	Yes	Yes
PI4B5			Yes	Yes	Yes
Dry Contact			Yes	Yes	Yes
Wired Remote Controller			Yes	Yes	Yes

\* : Sound Pressure is not a value declared on Eurovent Program.  
 ※ This product contains Fluorinated greenhouse gases (R32).  
 ※ S : Sleep / L : Low / M : Medium / H : High  
 ※ GWP : Global warming potential  
 ※ t-CO<sub>2</sub>eq : F-gas(kg)\*GWP/1,000  
 ※ Y : Available or Applied / - : Not Available or Not Applied  
 ※ For our policy of continuous product improvement, specification, design and feature are subject to change without prior notice.



**Integrate with Your Senses and Interior**

- Pre-Cool & Heat by ThinQ App.
- Pro-active Energy Control : Seamlessly adjust energy consumption levels and cooling capacity, ensuring efficient operation in Cooling Mode.
- Plasmaster™ Ionizer++ : Say goodbye to unpleasant odors and harmful bacteria. With over 8 million ions at work, enjoy a safer and cleaner indoor environment free from Escherichia coli and Staphylococcus.
- Interior Allergy Filter : Breathe easier with our advanced filter that absorbs harmful particles like dust mites, pollen, fungi, and mold, providing a cleaner and more allergen-free space.
- UV Light Sanitization : Maintain a 99.99% bacteria-free fan with ultraviolet light, ensuring every breath you take is through clean, purified air.
- Auto Cleaning : Keeps the interior of the air conditioner clean by drying off the heat exchanger and performing an additional cleaning.



**AI-advanced Care with Your Lower Energy Consumption**

- ThinQ UP / Pre-Cool & Heat by ThinQ App.
- AI Air adapts airflow with radar sensors for optimal comfort.
- Soft Air and DUAL Vane deliver gentle, tailored cooling.
- Comfort Humidity Control ensures a perfectly balanced environment.
- High SEER provides top performance with lower energy consumption.
- KW Manager adjusts operations based on your energy-saving goals.
- Proactive features like Human Detection and Window Open Detection reduce energy waste.
- All Cleaning, Auto Clean+, Plasmaster™ Ionizer++, and Allergy Filter ensure hygienic air.
- Sleep Timer+ analyzes usage patterns for better nighttime comfort.
- Low Heating protects your home from freezing temperatures.

**Single Combination**

SET UNIT				AC09BK.SSJC	AC12BK.SSJC	AC18BK.SSKC	AC24BK.SSKC
Cooling	Capacity	Min - Rated - Max	kW	0.89 - 2.5 - 3.7	0.89 - 3.5 - 4.04	0.9 - 5.0 - 5.5	0.9 - 6.6 - 7.42
	Power Input	Min - Rated - Max	W	200 - 656 - 1,400	200 - 1,080 - 1,400	210 - 1,562 - 1,940	210 - 2,164 - 2,500
	Running Current	Min - Rated - Max	A	1.1 - 3.3 - 6.0	1.1 - 4.7 - 6.0	1.2 - 6.9 - 9.0	1.2 - 9.8 - 14.0
	EER		W/W	3.81	3.24	3.2	3.05
	SEER		-	7.0	6.6	7.0	6.9
	P design C		kW	2.5	3.5	5.0	6.6
	Energy Label Grade (A+++ to D Scale)		-	A++	A++	A++	A++
Annual Energy Consumption		kWh	125	186	250	335	
Heating	Capacity	Min - Rated - Max Max (-7 °C)	kW	0.89 - 3.3 - 4.1	0.89 - 4.0 - 5.1	0.9 - 5.8 - 6.4	0.9 - 7.5 - 8.64
	Power Input	Min - Rated - Max	W	195 - 800 - 1,600	195 - 1,050 - 1,600	210 - 1,611 - 2,000	210 - 2,238 - 2,750
	Running Current	Min - Rated - Max	A	1.1 - 4.0 - 7.0	1.1 - 4.7 - 7.0	1.2 - 7.1 - 9.5	1.2 - 10.0 - 14.0
	COP		W/W	4.12	3.81	3.6	3.35
	SCOP (Average / Warmer)	Average (Warmer)	-	4.0 (4.9)	4.0 (4.9)	4.3 (5.3)	4.3 (5.3)
	P design H		kW	2.5	2.5	3.9	5.0
	Energy Label Grade (A+++ to D Scale)	Average (Warmer)	-	A+ (A++)	A+ (A++)	A+ (A+++)	A+ (A+++)
Annual Energy Consumption	Average (Warmer)	kWh	875 (371)	875 (371)	1,270 (555)	1,628 (713)	
INDOOR UNIT				AC09BK.NSJC	AC12BK.NSJC	AC18BK.NSKC	AC24BK.NSKC
Dimensions (W x H x D)	Net	mm	837 x 308 x 192	837 x 308 x 192	998 x 345 x 212	998 x 345 x 212	
	Shipping	mm	882 x 385 x 253	882 x 385 x 253	1,053 x 424 x 278	1,089 x 428 x 298	
	Weight	kg	9.9	9.9	12.8	13.5	
Air Filter Type			Allergy Filter / Pre Filter (Washable)	Allergy Filter / Pre Filter (Washable)	Allergy Filter / Pre Filter (Washable)	Allergy Filter / Pre Filter (Washable)	
Air Flow Rate	Cooling	L / M / H / SH	m <sup>3</sup> /min	4.2 / 7.5 / 10.0 / 12.5	4.2 / 7.5 / 10.0 / 12.5	10.5 / 13.0 / 14.5 / 15.5	10.5 / 13.1 / 16.1 / 18.3
	Heating	L / M / H / SH	m <sup>3</sup> /min	5.6 / 7.2 / 10.0 / 13.0	5.6 / 7.2 / 10.0 / 13.0	11.0 / 13.5 / 16.0 / 18.5	11.0 / 14.3 / 17.6 / 19.8
Sound Pressure Level	Cooling	SL / L / M / H / SH	dB(A)	19 / 27 / 35 / 41 / 45	19 / 27 / 35 / 41 / 45	31 / 34 / 39 / 44 / 47	31 / 34 / 42 / 47 / 49
	Heating	L / M / H / SH	dB(A)	27 / 35 / 41 / 45	27 / 35 / 41 / 45	34 / 39 / 44 / 48	34 / 42 / 47 / 50
Sound Power Level			dB(A)	59	59	60	65
Moisture Removal			l/h	1.1	1.3	1.8	2.5
Drain Hose Size	O.D, I.D	mm	215, 16	215, 16	215, 16	215, 16	
OUTDOOR UNIT				AC09BK.UA3C	AC12BK.UA3C	AC18BK.UJ2C	AC24BK.UJ2C
Dimensions (W x H x D)	Net	mm	717 x 495 x 230	717 x 495 x 230	770 x 545 x 288	870 x 650 x 330	
	Shipping	mm	836 x 540 x 321	836 x 540 x 321	919 x 599 x 392	1,026 x 683 x 446	
	Weight	kg	25.1	25.1	34.4	46	
Air Flow Rate	Max	m <sup>3</sup> /min	27	27	35	49	
Sound Pressure Level	Cooling	Rated	dB(A)	48	48	53	54
	Heating	Rated	dB(A)	50	50	55	57
Sound Power Level	Rated	dB(A)	65	65	65	70	
Operation Range	Cooling	°C DB	-10 - 48	-10 - 48	-15 - 48	-15 - 48	
	Heating	°C DB	-10 - 24	-10 - 24	-10 - 24	-10 - 24	
Power Supply	Ø V, Hz		1,220 - 240, 50	1,220 - 240, 50	1,220 - 240, 50	1,220 - 240, 50	
Circuit Breaker	A		15	15	20	25	
Power Supply Cable	No. x mm <sup>2</sup>		3 x 1.0	3 x 1.0	3 x 1.5	3 x 2.5	
Power and Communication Cable	No. x mm <sup>2</sup>		4 x 1.0 (Including Earth)	4 x 1.0 (Including Earth)	4 x 1.0 (Including Earth)	4 x 1.0 (Including Earth)	
Refrigerant	Type / GWP (Global Warming Potential)		-	R32 / 675	R32 / 675	R32 / 675	R32 / 675
	Pre Charged Amount / t-CO <sub>2</sub> eq	kg	0.7 / 0.473	0.7 / 0.473	1.0 / 0.675	1.1 / 0.743	
	Chargeless	m	7.5	7.5	7.5	7.5	
	Additional Charge	g/m	20	20	20	20	
Piping	Size	Liquid	mm	Ø 6.35	Ø 6.35	Ø 6.35	Ø 6.35
	Gas	mm	Ø 9.52	Ø 9.52	Ø 12.7	Ø 15.88	
Piping Connection	Piping Length	Min / Standard / Max	m	3 / 7.5 / 15	3 / 7.5 / 15	3 / 7.5 / 20	3 / 7.5 / 30
	No Charge (Chargeless)	m	7.5	7.5	7.5	7.5	
Max. Elevation Difference	m		7	7	10	15	
Compressor	Type		DualCool Inverter	DualCool Inverter	DualCool Inverter	DualCool Inverter	
ACCESSORIES & OTHERS							
Multi Compatible			Yes	Yes	Yes	Yes	
PI485			-	-	Yes	Yes	
Dry Contact			Yes	Yes	Yes	Yes	
Wired Remote Controller			Yes	Yes	Yes	Yes	

\* : Sound Pressure is not a value declared on Eurovent Program.  
 ※ This product contains Fluorinated greenhouse gases (R32).  
 ※ S : Sleep / L : Low / M : Medium / H : High  
 ※ GWP : Global warming potential  
 ※ t-CO<sub>2</sub>eq : F-gas(kg)\*GWP/1,000  
 ※ Y : Available or Applied / - : Not Available or Not Applied  
 ※ For our policy of continuous product improvement, specification, design and feature are subject to change without prior notice.

**Single Combination**

SET UNIT				H09S1PA.SS1	H12S1PA.SS1
Cooling	Capacity	Min - Rated - Max	kW	0.89 - 2.5 - 4.0	0.89 - 3.5 - 4.35
	Power Input	Min - Rated - Max	W	160 - 510 - 1,400	160 - 815 - 1,500
	Running Current	Min - Rated - Max	A	1.3 - 3.1 - 6.0	1.3 - 3.75 - 6.5
	EER		W/W	4.90	4.29
	SEER		-	9.7	9.5
	P design C		kW	2.5	3.5
	Energy Label Grade (A+++ to D Scale)		-	A+++	A+++
Annual Energy Consumption		kWh	90	129	
Heating	Capacity	Min - Rated - Max Max (-7 °C)	kW	0.65 - 3.2 - 5.5	0.65 - 4.0 - 6.0
	Power Input	Min - Rated - Max	W	160 - 640 - 1,600	160 - 850 - 1,750
	Running Current	Min - Rated - Max	A	1.3 - 3.2 - 7.0	1.3 - 4.0 - 7.5
	COP		W/W	5.0	4.71
	SCOP (Average / Warmer)	Average (Warmer)	-	5.1 (6.1)	5.1 (6.1)
	P design H		kW	2.8	2.8
	Energy Label Grade (A+++ to D Scale)	Average (Warmer)	-	A+++ (A+++)	A+++ (A+++)
Annual Energy Consumption	Average (Warmer)	kWh	769 (344)	769 (344)	
INDOOR UNIT				H09S1PA.NS1	H12S1PA.NS1
Dimensions (W x H x D)	Net	mm	895 x 307 x 235	895 x 307 x 235	
	Shipping	mm	967 x 383 x 296	967 x 383 x 296	
	Weight	kg	12.6	12.6	
Air Filter Type			Allergy Filter / Pre Filter (Washable)	Allergy Filter / Pre Filter (Washable)	
Air Flow Rate	Cooling	L / M / H / SH	m <sup>3</sup> /min	5.7 / 8.1 / 10.5 / 13.6	5.7 / 8.1 / 10.5 / 13.6
	Heating	L / M / H / SH	m <sup>3</sup> /min	5.7 / 8.1 / 10.5 / 14.2	5.7 / 8.1 / 10.5 / 14.2
Sound Pressure Level	Cooling	SL / L / M / H / SH	dB(A)	19 / 27 / 35 / 40 / 47	19 / 27 / 35 / 40 / 47
	Heating	L / M / H / SH	dB(A)	27 / 35 / 40 / 48	27 / 35 / 40 / 48
Sound Power Level			dB(A)	60	60
Moisture Removal			l/h	1.15	1.3
Drain Hose Size	O.D, I.D	mm	215, 16	215, 16	
OUTDOOR UNIT				H09S1PA.U18	H12S1PA.U18
Dimensions (W x H x D)	Net	mm	770 x 545 x 288	770 x 545 x 288	
	Shipping	mm	919 x 599 x 392	919 x 599 x 392	
	Weight	kg	29.9	29.9	
Air Flow Rate	Max	m <sup>3</sup> /min	35	35	
Sound Pressure Level	Cooling	Rated	dB(A)	49	49
	Heating	Rated	dB(A)	51	51
Sound Power Level	Rated	dB(A)	65	65	
Operation Range	Cooling	°C DB	-15 - 48	-15 - 48	
	Heating	°C DB	-15 - 24	-15 - 24	
Power Supply	Ø V, Hz		1,220 - 240, 50	1,220 - 240, 50	
Circuit Breaker	A		15	15	
Power Supply Cable	No. x mm <sup>2</sup>		3 x 1.0	3 x 1.0	
Power and Communication Cable	No. x mm <sup>2</sup>		4 x 1.0 (Including Earth)	4 x 1.0 (Including Earth)	
Refrigerant	Type / GWP (Global Warming Potential)		-	R32 / 675	
	Pre Charged Amount / t-CO <sub>2</sub> eq	kg	0.9 / 0.608	0.9 / 0.608	
	Chargeless	m	12.5	12.5	
	Additional Charge	g/m	20	20	
Piping	Size	Liquid	mm	Ø 6.35	
	Gas	mm	Ø 9.52	Ø 9.52	
Piping Connection	Piping Length	Min / Standard / Max	m	3 / 7.5 / 20	
	No Charge (Chargeless)	m	12.5	12.5	
Max. Elevation Difference	m		10	10	
Compressor	Type		DualCool Inverter	DualCool Inverter	
ACCESSORIES & OTHERS					
Multi Compatible			Yes	Yes	
PI485			Yes	Yes	
Dry Contact			Yes	Yes	
Wired Remote Controller			Yes	Yes	

\* : Sound Pressure is not a value declared on Eurovent Program.  
 ※ This product contains Fluorinated greenhouse gases (R32).  
 ※ S : Sleep / L : Low / M : Medium / H : High  
 ※ GWP : Global warming potential  
 ※ t-CO<sub>2</sub>eq : F-gas(kg)\*GWP/1,000  
 ※ Y : Available or Applied / - : Not Available or Not Applied  
 ※ For our policy of continuous product improvement, specification, design and feature are subject to change without prior notice.



- AI-advanced Care with Lower Energy Consumption**
- ThinQ UP / Pre-Cool & Heat by ThinQ App.
  - AI Air : Your air conditioner takes care of everything effortlessly, ensuring optimal comfort by adapting its air flow with radar sensors tracking your location and ambient temperature via ThinQ.
  - High SEER : Enjoy top performance and significant energy savings.
  - Soft Air : Stay comfortably cool with ultra-fine settings for wind strength and temperature, avoiding any chill.
  - DUAL Vane : Multi-link technology optimizes control of two separate vanes, expanding the airflow range.
  - Comfort Humidity Control : Maintain comfort without excess chill by finely adjusting airflow based on desired temperature and current humidity.
  - KW Manager (Cooling Mode Only) : Automatically sets energy-saving stages based on your target electricity and period information, ensuring efficient energy use.
  - All Cleaning : The unit automatically operates from cleaning to drying, keeping the interior hygienic.
  - Automatic Energy Saving : Detects open windows and activates Pro-active Energy Saving Mode Control.
  - Sleep Timer+ : Adjusts cooling temperature based on your air conditioner usage patterns for a restful night.
  - Low Heating, Auto Clean+, Plasmaster™ Ionizer++, Allergy Filter, Freeze Cleaning : Ensure a cleaner, healthier, and more comfortable indoor environment.

Single Combination

SET UNIT			H09S1DA.SS1	H12S1DA.SS1	H18S1DA.SS1	H24S1DA.SS1
Cooling	Capacity	Min - Rated - Max	0.89 - 2.5 - 3.8	0.89 - 3.5 - 4.2	0.9 - 5.0 - 5.5	0.9 - 6.6 - 7.42
	Power Input	Min - Rated - Max	180 - 555 - 1,260	180 - 890 - 1,400	210 - 1,545 - 1,940	210 - 2,164 - 2,500
	Running Current	Min - Rated - Max	1.5 - 2.6 - 5.5	1.5 - 4.1 - 6.1	1.6 - 6.9 - 9.0	1.6 - 9.8 - 14.0
	EER		4.50	3.93	3.24	3.05
	SEER		8.7	8.5	7.0	6.9
	P design C		2.5	3.5	5.0	6.6
	Energy Label Grade (A+++ to D Scale)		A+++	A+++	A++	A++
Annual Energy Consumption		101	144	250	335	
Heating	Capacity	Min - Rated - Max Max (-7 °C)	0.65 - 3.2 - 4.9 3.3	0.65 - 4.0 - 5.4 3.6	0.9 - 5.8 - 6.4 4.65	0.9 - 7.5 - 8.64 6.0
	Power Input	Min - Rated - Max	180 - 700 - 1,450	180 - 920 - 1,600	210 - 1,560 - 2,000	210 - 2,238 - 2,750
	Running Current	Min - Rated - Max	1.5 - 3.2 - 6.3	1.5 - 4.25 - 7.0	1.6 - 7.0 - 9.5	1.6 - 10.0 - 14.0
	COP		4.57	4.35	3.72	3.35
	SCOP (Average / Warmer)	Average (Warmer)	4.6 (5.7)	4.6 (5.7)	4.3 (5.6)	4.3 (5.6)
	P design H		2.8	2.8	3.9	5.0
	Energy Label Grade (A+++ to D Scale)	Average (Warmer)	A++ (A+++)	A++ (A+++)	A+ (A+++)	A+ (A+++)
Annual Energy Consumption	Average (Warmer)	852 (368)	852 (368)	1,270 (534)	1,626 (670)	
INDOOR UNIT			H09S1DA.NS1	H12S1DA.NS1	H18S1DA.NS1	H24S1DA.NS1
Dimensions (W x H x D)	Net	mm	895 x 307 x 235	895 x 307 x 235	895 x 307 x 235	895 x 307 x 235
	Shipping	mm	967 x 383 x 296	967 x 383 x 296	967 x 383 x 296	967 x 383 x 296
	Weight	kg	11.0	11.0	12.8	12.8
Air Filter Type		Allergy Filter / Pre Filter (Washable)				
Air Flow Rate	Cooling	L / M / H / SH	5.7 / 8.1 / 10.5 / 13.6	5.7 / 8.1 / 10.5 / 13.6	7.0 / 9.9 / 11.7 / 13.6	7.3 / 10.1 / 12.3 / 14.6
	Heating	L / M / H / SH	5.7 / 8.1 / 10.5 / 14.2	5.7 / 8.1 / 10.5 / 14.2	7.0 / 9.9 / 11.7 / 14.2	7.3 / 10.1 / 12.3 / 14.6
Sound Pressure Level	Cooling	SL / L / M / H / SH	19 / 21 / 35 / 40 / 47	19 / 21 / 35 / 40 / 47	29 / 34 / 39 / 44 / 49	31 / 34 / 42 / 47 / 51
	Heating	L / M / H / SH	27 / 35 / 40 / 48	27 / 35 / 40 / 48	34 / 39 / 44 / 50	34 / 42 / 47 / 51
Sound Power Level		dB(A)	60	60	60	65
Moisture Removal		l/h	1.15	1.3	1.8	2.5
Drain Hose Size	O.D, I.D	mm	215, 16	215, 16	215, 16	215, 16
OUTDOOR UNIT			H09S1DA.U12	H12S1DA.U12	H18S1DA.U1B	H24S1DA.U24
Dimensions (W x H x D)	Net	mm	717 x 495 x 230	717 x 495 x 230	770 x 545 x 288	870 x 650 x 330
	Shipping	mm	836 x 540 x 321	836 x 540 x 321	919 x 599 x 392	1,026 x 683 x 446
	Weight	kg	25.1	25.1	32.5	44
Air Flow Rate	Max	m <sup>3</sup> /min	27	27	35	49
Sound Pressure Level	Cooling	Rated	49	49	53	54
	Heating	Rated	51	51	55	57
Sound Power Level	Rated	dB(A)	65	65	65	70
Operation Range	Cooling	°C DB	-15 - 48	-15 - 48	-15 - 48	-15 - 48
	Heating	°C DB	-15 - 24	-15 - 24	-15 - 24	-15 - 24
Power Supply		Ø V, Hz	1,220 - 240, 50	1,220 - 240, 50	1,220 - 240, 50	1,220 - 240, 50
Circuit Breaker		A	15	15	20	25
Power Supply Cable		No. x mm <sup>2</sup>	3 x 1.0	3 x 1.0	3 x 1.5	3 x 2.5
Power and Communication Cable		No. x mm <sup>2</sup>	4 x 1.0 (Including Earth)	4 x 1.0 (Including Earth)	4 x 1.0 (Including Earth)	4 x 1.0 (Including Earth)
Refrigerant	Type / GWP (Global Warming Potential)		R32 / 675	R32 / 675	R32 / 675	R32 / 675
	Pre Charged Amount / t-CO <sub>2</sub> eq	kg	0.8 / 0.540	0.8 / 0.540	1.13 / 0.763	1.15 / 0.776
	Chargeless	m	12.5	12.5	7.5	7.5
	Additional Charge	g/m	20	20	20	20
Piping	Size	Liquid Gas	Ø 6.35 Ø 9.52	Ø 6.35 Ø 9.52	Ø 6.35 Ø 12.7	Ø 6.35 Ø 15.88
	Piping Length	Min / Standard / Max	3 / 7.5 / 20	3 / 7.5 / 20	3 / 7.5 / 20	3 / 7.5 / 30
Piping Connection		No Charge (Chargeless)	12.5	12.5	7.5	7.5
	Max. Elevation Difference	m	10	10	10	15
Compressor	Type		DualCool Inverter	DualCool Inverter	DualCool Inverter	DualCool Inverter
ACCESSORIES & OTHERS						
Multi Compatible			Yes	Yes	Yes	Yes
PI485			-	-	Yes	Yes
Dry Contact			Yes	Yes	Yes	Yes
Wired Remote Controller			Yes	Yes	Yes	Yes

\* : Sound Pressure is not a value declared on Eurovent Program.  
 ※ This product contains Fluorinated greenhouse gases (R32).  
 ※ S : Sleep / L : Low / M : Medium / H : High  
 ※ GWP : Global warming potential  
 ※ t-CO<sub>2</sub>eq : F-gas(kg)\*GWP/1,000  
 ※ Y : Available or Applied / - : Not Available or Not Applied  
 ※ For our policy of continuous product improvement, specification, design and feature are subject to change without prior notice.



- AI-advanced Care with Lower Energy Consumption**
- ThinQ UP / Pre-Cool & Heat by ThinQ App.
  - Effortless Comfort with AI Air : Your air conditioner takes care of everything, ensuring optimal comfort by adapting airflow with radar sensors that track your location and ambient temperature via ThinQ.
  - Soft Air : Stay comfortably cool without a chill, thanks to ultra-fine settings for wind strength and temperature.
  - DUAL Vane Technology : Enjoy optimized control of two separate vanes through multi-link technology, expanding the range of airflow control.
  - Comfort Humidity Control : Maintain the perfect environment by adjusting airflow based on the desired temperature and current humidity, ensuring no excess chill.
  - KW Manager (Cooling Mode Only) : Automatically set energy-saving stages based on your target electricity usage and period, making sure your air conditioner operates efficiently.
  - All Cleaning & Auto Clean+ : The unit automatically handles everything from cleaning to drying, keeping the interior hygienic.
  - Automatic Energy Saving : Detects open windows and activates Pro-active Energy Saving Mode Control to conserve energy.
  - Sleep Timer+ : Analyzes your air conditioner usage patterns to automatically adjust cooling temperature for a perfect night's sleep.
  - Low Heating, Allergy Filter, Freeze Cleaning : Features designed to ensure a cleaner, healthier, and more comfortable indoor environment.

Single Combination

SET UNIT			P09SND.SS0	P12SND.SS0
Cooling	Capacity	Min - Rated - Max	0.89 - 2.5 - 3.6	0.89 - 3.5 - 4.05
	Power Input	Min - Rated - Max	180 - 590 - 1,260	180 - 933 - 1,400
	Running Current	Min - Rated - Max	1.5 - 2.9 - 5.5	1.5 - 4.3 - 6.1
	EER		4.24	3.75
	SEER		8.3	7.6
	P design C		2.5	3.5
	Energy Label Grade (A+++ to D Scale)		A++	A++
Annual Energy Consumption		105	161	
Heating	Capacity	Min - Rated - Max Max (-7 °C)	0.65 - 3.2 - 4.6 3.3	0.65 - 3.7 - 5.0 3.6
	Power Input	Min - Rated - Max	180 - 740 - 1,450	180 - 900 - 1,600
	Running Current	Min - Rated - Max	1.5 - 3.5 - 6.3	1.5 - 4.15 - 7.0
	COP		4.32	4.1
	SCOP (Average / Warmer)	Average (Warmer)	4.6 (5.5)	4.6 (5.5)
	P design H		2.7	2.7
	Energy Label Grade (A+++ to D Scale)	Average (Warmer)	A++ (A+++)	A++ (A+++)
Annual Energy Consumption	Average (Warmer)	822 (356)	822 (356)	
INDOOR UNIT			P09SND.NS0	P12SND.NS0
Dimensions (W x H x D)	Net	mm	799 x 307 x 235	799 x 307 x 235
	Shipping	mm	871 x 383 x 296	871 x 383 x 296
	Weight	kg	10.0	10.0
Air Filter Type		Allergy Filter / Pre Filter (Washable)		
Air Flow Rate	Cooling	L / M / H / SH	4.8 / 7.6 / 10.3 / 12.7	4.8 / 7.6 / 10.3 / 12.7
	Heating	L / M / H / SH	4.8 / 7.6 / 10.3 / 13.0	4.8 / 7.6 / 10.3 / 13.0
Sound Pressure Level	Cooling	SL / L / M / H / SH	19 / 21 / 35 / 42 / 48	19 / 21 / 35 / 42 / 48
	Heating	L / M / H / SH	27 / 35 / 42 / 48	27 / 35 / 42 / 48
Sound Power Level		dB(A)	60	60
Moisture Removal		l/h	1.15	1.3
Drain Hose Size	O.D, I.D	mm	215, 16	215, 16
OUTDOOR UNIT			P09SND.U12A	P12SND.U12A
Dimensions (W x H x D)	Net	mm	717 x 495 x 230	717 x 495 x 230
	Shipping	mm	836 x 540 x 321	836 x 540 x 321
	Weight	kg	25	25
Air Flow Rate	Max	m <sup>3</sup> /min	27	27
Sound Pressure Level	Cooling	Rated	48	48
	Heating	Rated	51	51
Sound Power Level	Rated	dB(A)	60	60
Operation Range	Cooling	°C DB	-15 - 48	-15 - 48
	Heating	°C DB	-15 - 24	-15 - 24
Power Supply		Ø V, Hz	1,220 - 240, 50	1,220 - 240, 50
Circuit Breaker		A	15	15
Power Supply Cable		No. x mm <sup>2</sup>	3 x 1.0	3 x 1.0
Power and Communication Cable		No. x mm <sup>2</sup>	4 x 1.0 (Including Earth)	4 x 1.0 (Including Earth)
Refrigerant	Type / GWP (Global Warming Potential)		R32 / 675	R32 / 675
	Pre Charged Amount / t-CO <sub>2</sub> eq	kg	0.73 / 0.493	0.73 / 0.493
	Chargeless	m	7.5	7.5
	Additional Charge	g/m	20	20
Piping	Size	Liquid Gas	Ø 6.35 Ø 9.52	Ø 6.35 Ø 9.52
	Piping Length	Min / Standard / Max	3 / 7.5 / 20	3 / 7.5 / 20
Piping Connection		No Charge (Chargeless)	7.5	7.5
	Max. Elevation Difference	m	10	10
Compressor	Type		DualCool Inverter	DualCool Inverter
ACCESSORIES & OTHERS				
Multi Compatible			Yes	Yes
PI485			-	-
Dry Contact			Yes	Yes
Wired Remote Controller			Yes	Yes

\* : Sound Pressure is not a value declared on Eurovent Program.  
 ※ This product contains Fluorinated greenhouse gases (R32).  
 ※ S : Sleep / L : Low / M : Medium / H : High  
 ※ GWP : Global warming potential  
 ※ t-CO<sub>2</sub>eq : F-gas(kg)\*GWP/1,000  
 ※ Y : Available or Applied / - : Not Available or Not Applied  
 ※ For our policy of continuous product improvement, specification, design and feature are subject to change without prior notice.



Create a Comfortable Home with Lower Energy Use

- Pre-Cool & Heat by ThinQ App.
- Seamless Control : Manage your air conditioner and other LG products effortlessly with the ThinQ App, allowing you to connect and control from anywhere, anytime.
- Active Energy Control : Adjust energy consumption and cooling capacity efficiently with Cooling Only Mode.
- Interior Allergy Filter : Absorbs harmful particles like dust mites, pollen, fungi, and mold, ensuring a cleaner and allergen-free environment.
- Auto Cleaning : Keeps the interior of the air conditioner clean by drying off the heat exchanger and performing an additional cleaning.
- Gold Fin™ Coating : Protects the heat exchanger from unnecessary wear and corrosion, enhancing durability.
- Low Heating protects your home from freezing temperatures.
- KW Manager adjusts operations based on your energy-saving goals.



Create a Comfortable Home with Lower Energy Use

- Pre-Cool & Heat by ThinQ App.
- Seamless Control with ThinQ App : Manage your air conditioner and other LG products effortlessly from anywhere, anytime.
- Active Energy Control : Efficiently adjust energy consumption levels and cooling capacity in Cooling Only Mode.
- Auto Cleaning : Ensures a clean air conditioner interior by drying the heat exchanger and performing an additional cleaning cycle.
- Gold Fin™ Coating : Protects the heat exchanger from unnecessary wear and corrosion, enhancing durability.
- Low Heating protects your home from freezing temperatures.
- KW Manager adjusts operations based on your energy-saving goals.

Single Combination

SET UNIT			PZ09EYS.SSJ	PZ12EYS.SSJ	PZ18EYS.SSK	PZ24EYS.SSK	
Cooling	Capacity	Min - Rated - Max	0.89 - 2.5 - 3.7	0.89 - 3.5 - 4.04	0.9 - 5.0 - 5.5	0.9 - 6.6 - 7.42	
	Power Input	Min - Rated - Max	200 - 656 - 1,400	200 - 1,080 - 1,400	210 - 1,562 - 1,940	210 - 2,164 - 2,500	
	Running Current	Min - Rated - Max	1.1 - 3.3 - 6.0	1.1 - 4.7 - 6.0	1.2 - 6.9 - 9.0	1.2 - 9.8 - 14.0	
	EER		3.81	3.24	3.2	3.05	
	SEER		7.0	6.6	7.0	6.9	
	P design C		2.5	3.5	5.0	6.6	
	Energy Label Grade (A+++ to D Scale)		A++	A++	A++	A++	
Heating	Capacity	Min - Rated - Max Max (-7 °C)	0.89 - 2.8 - 4.1 2.6	0.89 - 3.71 - 5.1 3.0	0.9 - 5.4 - 6.4 4.2	0.9 - 7.0 - 8.64 6.0	
	Power Input	Min - Rated - Max	195 - 620 - 1,600	195 - 950 - 1,600	210 - 1,480 - 2,000	210 - 2,030 - 2,750	
	Running Current	Min - Rated - Max	1.1 - 2.8 - 7.0	1.1 - 4.3 - 7.0	1.2 - 6.7 - 9.5	1.2 - 9.1 - 14.0	
	COP		4.52	3.91	3.65	3.45	
	SCOP (Average / Warmer)	Average (Warmer)	4.0 (4.9)	4.0 (4.9)	4.3 (5.3)	4.3 (5.3)	
	P design H		2.5	3.9	5.0	6.6	
	Energy Label Grade (A+++ to D Scale)	Average (Warmer)	A+ (A+++)	A+ (A+++)	A+ (A+++)	A+ (A+++)	
INDOOR UNIT			PZ09EYN.CSJ1	PZ12EYN.CSJ1	PZ18EYN.CSK1	PZ24EYN.CSK1	
Dimensions (W x H x D)	Net	mm	837 x 308 x 189	837 x 308 x 189	998 x 345 x 210	998 x 345 x 210	
	Shipping	mm	880 x 380 x 240	880 x 380 x 240	1,050 x 420 x 265	1,050 x 420 x 265	
Weight	Net	kg	8.7	8.7	11.2	11.9	
Air Filter Type			Allergy Filter / Pre Filter (Washable)	Allergy Filter / Pre Filter (Washable)	Allergy Filter / Pre Filter (Washable)	Allergy Filter / Pre Filter (Washable)	
Air Flow Rate	Cooling	L / M / H / SH	4.2 / 7.5 / 10.0 / 12.5	4.2 / 7.5 / 10.0 / 12.5	10.5 / 13.0 / 14.5 / 15.5	10.5 / 13.1 / 16.1 / 18.3	
	Heating	L / M / H / SH	5.6 / 7.2 / 10.0 / 13.0	5.6 / 7.2 / 10.0 / 13.0	11.0 / 13.5 / 16.0 / 18.5	11.0 / 14.3 / 17.6 / 19.8	
Sound Pressure Level	Cooling	SL / L / M / H / SH	19 / 27 / 35 / 41 / 45	19 / 27 / 35 / 41 / 45	31 / 34 / 39 / 44 / 47	31 / 34 / 42 / 47 / 49	
	Heating	L / M / H / SH	27 / 35 / 41 / 45	27 / 35 / 41 / 45	34 / 39 / 44 / 48	34 / 42 / 47 / 50	
Sound Power Level		dB(A)	59	59	60	65	
Moisture Removal		l/h	1.1	1.3	1.8	2.5	
Drain Hose Size	O.D, I.D	mm	215, 16	215, 16	215, 16	215, 16	
OUTDOOR UNIT			PZ09EYU.CA31	PZ12EYU.CA31	PZ18EYU.CL21	PZ24EYU.C241	
Dimensions (W x H x D)	Net	mm	717 x 495 x 230	717 x 495 x 230	770 x 545 x 288	870 x 650 x 330	
	Shipping	mm	830 x 540 x 390	830 x 540 x 390	920 x 590 x 390	1,035 x 700 x 450	
Weight	Net	kg	25.2	25.2	32.8	44.4	
Air Flow Rate	Max	m <sup>3</sup> /min	27	27	35	49	
Sound Pressure Level	Cooling	Rated	48	48	53	54	
	Heating	Rated	50	50	55	57	
Sound Power Level	Rated	dB(A)	65	65	65	70	
Operation Range	Cooling	°C DB	-10 - 48	-10 - 48	-10 - 48	-10 - 48	
	Heating	°C DB	-15 - 24	-15 - 24	-15 - 24	-15 - 24	
Power Supply	Ø V, Hz		1,220 - 240, 50	1,220 - 240, 50	1,220 - 240, 50	1,220 - 240, 50	
Circuit Breaker	A		15	15	20	25	
Power Supply Cable	No. x mm <sup>2</sup>		3 x 1.0	3 x 1.0	3 x 1.5	3 x 2.5	
Power and Communication Cable	No. x mm <sup>2</sup>		4 x 1.0 (Including Earth)	4 x 1.0 (Including Earth)	4 x 1.0 (Including Earth)	4 x 1.0 (Including Earth)	
Refrigerant	Type / GWP (Global Warming Potential)		R32 / 675	R32 / 675	R32 / 675	R32 / 675	
	Pre Charged Amount / t-CO <sub>2</sub> eq	kg	0.7 / 0.473	0.7 / 0.473	1.0 / 0.675	1.1 / 0.743	
	Chargeless	m	7.5	7.5	7.5	7.5	
Piping	Additional Charge	g/m	20	20	20	20	
	Size	Liquid	mm	Ø 6.35	Ø 6.35	Ø 6.35	Ø 6.35
		Gas	mm	Ø 9.52	Ø 9.52	Ø 12.7	Ø 15.88
Piping Connection	Piping Length	Min / Standard / Max	3 / 7.5 / 15	3 / 7.5 / 15	3 / 7.5 / 20	3 / 7.5 / 30	
	Max. Elevation Difference	No Charge (Chargeless)	7.5	7.5	7.5	7.5	
Compressor	Type		DualCool Inverter	DualCool Inverter	DualCool Inverter	DualCool Inverter	
ACCESSORIES & OTHERS							
Multi Compatible			Yes	Yes	Yes	Yes	
PI485			-	-	Yes	Yes	
Dry Contact			Yes	Yes	Yes	Yes	
Wired Remote Controller			Yes	Yes	Yes	Yes	

\* : Sound Pressure is not a value declared on Eurovent Program.  
 ※ This product contains Fluorinated greenhouse gases (R32).  
 ※ S : Sleep / L : Low / M : Medium / H : High  
 ※ GWP : Global warming potential  
 ※ t-CO<sub>2</sub>eq : F-gas(kg)\*GWP/1,000  
 ※ Y : Available or Applied / - : Not Available or Not Applied  
 ※ For our policy of continuous product improvement, specification, design and feature are subject to change without prior notice.

Single Combination

SET UNIT			EZ09CYS.SSJ	EZ12CYS.SSJ	EZ18CYS.SSK	EZ24CYS.SSK	
Cooling	Capacity	Min - Rated - Max	0.89 - 2.5 - 3.7	0.89 - 3.5 - 4.04	0.9 - 5.0 - 5.5	0.9 - 6.6 - 7.42	
	Power Input	Min - Rated - Max	200 - 656 - 1,400	200 - 1,080 - 1,400	210 - 1,562 - 1,940	210 - 2,164 - 2,500	
	Running Current	Min - Rated - Max	1.1 - 3.3 - 6.0	1.1 - 4.7 - 6.0	1.2 - 6.9 - 9.0	1.2 - 9.8 - 14.0	
	EER		3.81	3.24	3.2	3.05	
	SEER		7.0	6.6	7.0	6.9	
	P design C		2.5	3.5	5.0	6.6	
	Energy Label Grade (A+++ to D Scale)		A++	A++	A++	A++	
Heating	Capacity	Min - Rated - Max Max (-7 °C)	0.89 - 2.8 - 4.1 2.6	0.89 - 3.71 - 5.1 3.0	0.9 - 5.4 - 6.4 4.2	0.9 - 7.0 - 8.64 6.0	
	Power Input	Min - Rated - Max	195 - 620 - 1,600	195 - 950 - 1,600	210 - 1,480 - 2,000	210 - 2,030 - 2,750	
	Running Current	Min - Rated - Max	1.1 - 2.8 - 7.0	1.1 - 4.3 - 7.0	1.2 - 6.7 - 9.5	1.2 - 9.1 - 14.0	
	COP		4.52	3.91	3.65	3.45	
	SCOP (Average / Warmer)	Average (Warmer)	4.0 (4.9)	4.0 (4.9)	4.3 (5.3)	4.3 (5.3)	
	P design H		2.5	3.9	5.0	6.6	
	Energy Label Grade (A+++ to D Scale)	Average (Warmer)	A+ (A+++)	A+ (A+++)	A+ (A+++)	A+ (A+++)	
INDOOR UNIT			EZ09CYN.CSJ1	EZ12CYN.CSJ1	EZ18CYN.CSK1	EZ24CYN.CSK1	
Dimensions (W x H x D)	Net	mm	837 x 308 x 189	837 x 308 x 189	998 x 345 x 210	998 x 345 x 210	
	Shipping	mm	880 x 380 x 240	880 x 380 x 240	1,050 x 420 x 265	1,050 x 420 x 265	
Weight	Net	kg	8.7	8.7	11.2	11.9	
Air Filter Type			Pre Filter (Washable)	Pre Filter (Washable)	Pre Filter (Washable)	Pre Filter (Washable)	
Air Flow Rate	Cooling	L / M / H / SH	4.2 / 7.5 / 10.0 / 12.5	4.2 / 7.5 / 10.0 / 12.5	10.5 / 13.0 / 14.5 / 15.5	10.5 / 13.1 / 16.1 / 18.3	
	Heating	L / M / H / SH	5.6 / 7.2 / 10.0 / 13.0	5.6 / 7.2 / 10.0 / 13.0	11.0 / 13.5 / 16.0 / 18.5	11.0 / 14.3 / 17.6 / 19.8	
Sound Pressure Level	Cooling	SL / L / M / H / SH	19 / 27 / 35 / 41 / 45	19 / 27 / 35 / 41 / 45	31 / 34 / 39 / 44 / 47	31 / 34 / 42 / 47 / 49	
	Heating	L / M / H / SH	27 / 35 / 41 / 45	27 / 35 / 41 / 45	34 / 39 / 44 / 48	34 / 42 / 47 / 50	
Sound Power Level		dB(A)	59	59	60	65	
Moisture Removal		l/h	1.1	1.3	1.8	2.5	
Drain Hose Size	O.D, I.D	mm	215, 16	215, 16	215, 16	215, 16	
OUTDOOR UNIT			EZ09CYU.CA31	EZ12CYU.CA31	EZ18CYU.CL21	EZ24CYU.C241	
Dimensions (W x H x D)	Net	mm	717 x 495 x 230	717 x 495 x 230	770 x 545 x 288	870 x 650 x 330	
	Shipping	mm	830 x 540 x 390	830 x 540 x 390	920 x 590 x 390	1,035 x 700 x 450	
Weight	Net	kg	25.2	25.2	32.8	44.4	
Air Flow Rate	Max	m <sup>3</sup> /min	27	27	35	49	
Sound Pressure Level	Cooling	Rated	48	48	53	54	
	Heating	Rated	50	50	55	57	
Sound Power Level	Rated	dB(A)	65	65	65	70	
Operation Range	Cooling	°C DB	-10 - 48	-10 - 48	-10 - 48	-10 - 48	
	Heating	°C DB	-15 - 24	-15 - 24	-15 - 24	-15 - 24	
Power Supply	Ø V, Hz		1,220 - 240, 50	1,220 - 240, 50	1,220 - 240, 50	1,220 - 240, 50	
Circuit Breaker	A		15	15	20	25	
Power Supply Cable	No. x mm <sup>2</sup>		3 x 1.0	3 x 1.0	3 x 1.5	3 x 2.5	
Power and Communication Cable	No. x mm <sup>2</sup>		4 x 1.0 (Including Earth)	4 x 1.0 (Including Earth)	4 x 1.0 (Including Earth)	4 x 1.0 (Including Earth)	
Refrigerant	Type / GWP (Global Warming Potential)		R32 / 675	R32 / 675	R32 / 675	R32 / 675	
	Pre Charged Amount / t-CO <sub>2</sub> eq	kg	0.7 / 0.473	0.7 / 0.473	1.0 / 0.675	1.1 / 0.743	
	Chargeless	m	7.5	7.5	7.5	7.5	
Piping	Additional Charge	g/m	20	20	20	20	
	Size	Liquid	mm	Ø 6.35	Ø 6.35	Ø 6.35	Ø 6.35
		Gas	mm	Ø 9.52	Ø 9.52	Ø 12.7	Ø 15.88
Piping Connection	Piping Length	Min / Standard / Max	3 / 7.5 / 15	3 / 7.5 / 15	3 / 7.5 / 20	3 / 7.5 / 30	
	Max. Elevation Difference	No Charge (Chargeless)	7.5	7.5	7.5	7.5	
Compressor	Type		DualCool Inverter	DualCool Inverter	DualCool Inverter	DualCool Inverter	
ACCESSORIES & OTHERS							
Multi Compatible			Yes	Yes	Yes	Yes	
PI485			-	-	Yes	Yes	
Dry Contact			Yes	Yes	Yes	Yes	
Wired Remote Controller			Yes	Yes	Yes	Yes	

\* : Sound Pressure is not a value declared on Eurovent Program.  
 ※ This product contains Fluorinated greenhouse gases (R32).  
 ※ S : Sleep / L : Low / M : Medium / H : High  
 ※ GWP : Global warming potential  
 ※ t-CO<sub>2</sub>eq : F-gas(kg)\*GWP/1,000  
 ※ Y : Available or Applied / - : Not Available or Not Applied  
 ※ For our policy of continuous product improvement, specification, design and feature are subject to change without prior notice.



LG participates in the ICP programme for EUROVENT AC program. Check ongoing validity of certification [www.eurovent-certification.com](http://www.eurovent-certification.com)

Create a Comfortable Home with Lower Energy Use

- Pre-Cool & Heat by ThinQ App.
- Matte Design.
- Seamless Control with ThinQ App : Manage your air conditioner and other LG products effortlessly from anywhere, anytime.
- Active Energy Control : Efficiently adjust energy consumption levels and cooling capacity in Cooling Only Mode.
- Auto Cleaning : Ensures a clean air conditioner interior by drying the heat exchanger and performing an additional cleaning cycle.
- Gold Fin™ Coating : Protects the heat exchanger from unnecessary wear and corrosion, enhancing durability.
- Low Heating protects your home from freezing temperatures.
- KW Manager adjusts operations based on your energy-saving goals.

Single Combination

SET UNIT			EZ09CSS.SS1	EZ12CSS.SS1	EZ18CSS.SSK	EZ24CSS.SSK	
Capacity	Min - Rated - Max	kW	0.89 - 2.5 - 3.7	0.89 - 3.5 - 4.04	0.9 - 5.0 - 5.5	0.9 - 6.6 - 7.42	
Power Input	Min - Rated - Max	W	200 - 656 - 1,400	200 - 1,080 - 1,400	210 - 1,562 - 1,940	210 - 2,164 - 2,500	
Running Current	Min - Rated - Max	A	1.1 - 3.3 - 6.0	1.1 - 4.7 - 6.0	1.2 - 6.9 - 9.0	1.2 - 9.8 - 14.0	
Cooling	EER	W/W	3.81	3.24	3.2	3.05	
	SEER	-	7.0	6.6	7.0	6.9	
P design C	-	kW	2.5	3.5	5.0	6.6	
Energy Label Grade (A+++ to D Scale)	-	-	A++	A++	A++	A++	
Annual Energy Consumption	-	kWh	125	186	250	335	
Capacity	Min - Rated - Max	kW	0.89 - 2.8 - 4.1	0.89 - 3.71 - 5.1	0.9 - 5.4 - 6.4	0.9 - 7.0 - 8.64	
	Max (-7 °C)	kW	2.6	3.0	4.2	6.0	
Power Input	Min - Rated - Max	W	195 - 620 - 1,600	195 - 950 - 1,600	210 - 1,480 - 2,000	210 - 2,030 - 2,750	
Running Current	Min - Rated - Max	A	1.1 - 2.8 - 7.0	1.1 - 4.3 - 7.0	1.2 - 6.7 - 9.5	1.2 - 9.1 - 14.0	
Heating	COP	W/W	4.52	3.91	3.65	3.45	
	SCOP (Average / Warmer)	Average (Warmer)	-	4.0 (4.9)	4.3 (5.3)	4.3 (5.3)	
P design H	-	kW	2.5	3.9	5.0	6.6	
Energy Label Grade (A+++ to D Scale)	Average (Warmer)	-	A+ (A+++)	A+ (A+++)	A+ (A+++)	A+ (A+++)	
Annual Energy Consumption	Average (Warmer)	kWh	875 (386)	875 (386)	1,270 (555)	1,628 (713)	
INDOOR UNIT			EZ09CSN.CS1	EZ12CSN.CS1	EZ18CSN.CSK1	EZ24CSN.CSK1	
Dimensions (W x H x D)	Net	mm	837 x 308 x 189	837 x 308 x 189	998 x 345 x 210	998 x 345 x 210	
	Shipping	mm	882 x 371 x 230	882 x 371 x 230	1053 x 424 x 278	1053 x 424 x 278	
Weight	Net	kg	8.7	8.7	11.2	11.9	
Air Filter Type	-	-	Pre Filter (Washable)	Pre Filter (Washable)	Pre Filter (Washable)	Pre Filter (Washable)	
Air Flow Rate	Cooling	L / M / H / SH	m <sup>3</sup> /min	4.2 / 7.5 / 10.0 / 12.5	4.2 / 7.5 / 10.0 / 12.5	10.5 / 13.0 / 14.5 / 15.5	10.5 / 13.1 / 16.1 / 18.3
	Heating	L / M / H / SH	m <sup>3</sup> /min	5.6 / 7.2 / 10.0 / 13.0	5.6 / 7.2 / 10.0 / 13.0	11.0 / 13.5 / 16.0 / 18.5	11.0 / 14.3 / 17.6 / 19.8
Sound Pressure Level	Cooling	SL / L / M / H / SH	dB(A)	19 / 21 / 35 / 41 / 45	19 / 21 / 35 / 41 / 45	31 / 34 / 39 / 44 / 47	31 / 34 / 42 / 47 / 49
	Heating	L / M / H / SH	dB(A)	21 / 35 / 41 / 45	21 / 35 / 41 / 45	34 / 39 / 44 / 48	34 / 42 / 47 / 50
Sound Power Level	-	dB(A)	59	59	65	65	
Moisture Removal	-	l/h	1.1	1.3	1.8	2.5	
Drain Hose Size	O.D, I.D	mm	21.5, 16	21.5, 16	21.5, 16	21.5, 16	
OUTDOOR UNIT			EZ09CSU.CA31	EZ12CSU.CA31	EZ18CSU.CL21	EZ24CSU.C241	
Dimensions (W x H x D)	Net	mm	717 x 495 x 230	717 x 495 x 230	770 x 545 x 288	870 x 650 x 330	
	Shipping	mm	837 x 531 x 317	837 x 531 x 317	919 x 599 x 392	1,026 x 683 x 446	
Weight	Net	kg	25.2	25.2	32.8	44.4	
Air Flow Rate	Max	m <sup>3</sup> /min	27	27	35	49	
Sound Pressure Level	Cooling	Rated	dB(A)	48	48	53	54
	Heating	Rated	dB(A)	50	50	55	57
Sound Power Level	Rated	dB(A)	65	65	65	70	
Operation Range	Cooling	°C DB	-10 - 48	-10 - 48	-10 - 48	-10 - 48	
	Heating	°C DB	-15 - 24	-15 - 24	-15 - 24	-15 - 24	
Power Supply	Ø V, Hz		1,220 - 240, 50	1,220 - 240, 50	1,220 - 240, 50	1,220 - 240, 50	
Circuit Breaker	A		15	15	20	25	
Power Supply Cable	No. x mm <sup>2</sup>		3 x 1.0	3 x 1.0	3 x 1.5	3 x 2.5	
Power and Communication Cable	No. x mm <sup>2</sup>		4 x 1.0 (Including Earth)	4 x 1.0 (Including Earth)	4 x 1.0 (Including Earth)	4 x 1.0 (Including Earth)	
	Type / GWP (Global Warming Potential)		R32 / 6/75	R32 / 6/75	R32 / 6/75	R32 / 6/75	
Refrigerant	Pre Charged Amount / t-CO <sub>2</sub> eq	kg	0.7 / 0.473	0.7 / 0.473	1.0 / 0.675	1.1 / 0.743	
	Chargeless	m	7.5	7.5	7.5	7.5	
	Additional Charge	g/m	20	20	20	20	
Piping	Size	Liquid	mm	Ø 6.35	Ø 6.35	Ø 6.35	Ø 6.35
	Gas	mm	Ø 9.52	Ø 9.52	Ø 12.7	Ø 15.88	
Piping Connection	Piping Length	Min / Standard / Max	m	3 / 7.5 / 15	3 / 7.5 / 15	3 / 7.5 / 20	3 / 7.5 / 30
	No Charge (Chargeless)	m	7.5	7.5	7.5	7.5	
Compressor	Max. Elevation Difference	m	7	7	10	15	
	Type	-	DualCool Inverter	DualCool Inverter	DualCool Inverter	DualCool Inverter	
ACCESSORIES & OTHERS							
Multi Compatible	-	Yes	Yes	Yes	Yes	Yes	
PI4BS	-	-	-	-	-	-	
Dry Contact	-	Yes	Yes	Yes	Yes	Yes	
Wired Remote Controller	-	Yes	Yes	Yes	Yes	Yes	

\* : Sound Pressure is not a value declared on Eurovent Program.  
 ※ This product contains Fluorinated greenhouse gases (R32).  
 ※ S : Sleep / L : Low / M : Medium / H : High  
 ※ GWP : Global warming potential  
 ※ t-CO<sub>2</sub>eq : F-gas(kg)\*GWP/1,000  
 ※ Y : Available or Applied / - : Not Available or Not Applied  
 ※ For our policy of continuous product improvement, specification, design and feature are subject to change without prior notice.



LG participates in the ICP programme for EUROVENT AC program. Check ongoing validity of certification [www.eurovent-certification.com](http://www.eurovent-certification.com)

Create a Comfortable Home with Lower Energy Use

- Pre-Cool & Heat by ThinQ App.
- Seamless Control with ThinQ App : Manage your air conditioner and other LG products effortlessly from anywhere, anytime.
- Dual Sensing determines the difference between the indoor temperature and the user's surrounding (remote control) temperature.
- Auto Cleaning : Ensures a clean air conditioner interior by drying the heat exchanger and performing an additional cleaning cycle.
- Matte Design.

Single Combination

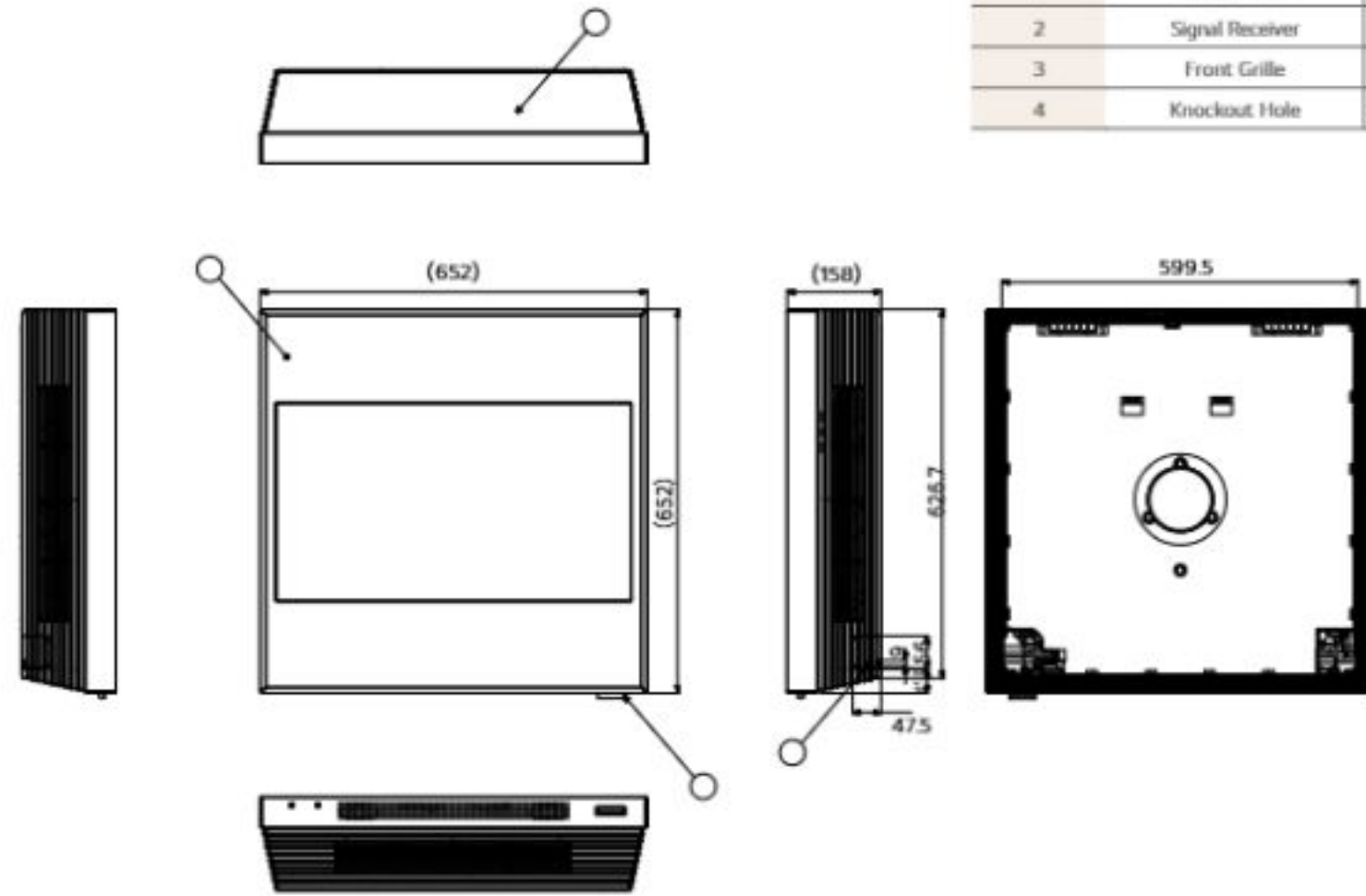
SET UNIT			WZ09AWS.SNU	WZ12AWS.SNU	WZ18AWS.SNU	WZ24AWS.SNU	
Capacity	Min - Rated - Max	kW	0.94 - 2.50 - 3.40	1.00 - 3.45 - 3.75	1.50 - 5.50 - 5.30	1.50 - 6.95 - 7.35	
Power Input	Min - Rated - Max	W	240 - 769 - 1,380	160 - 1,062 - 1,700	330 - 1,563 - 2,340	460 - 2,152 - 2,700	
Running Current	Min - Rated - Max	A	1.2 - 5.3 - 8.0	1.2 - 4.8 - 7.4	1.7 - 6.9 - 12.0	2.0 - 9.3 - 12.8	
Cooling	EER	W/W	3.25	3.25	3.23	3.23	
	SEER	-	6.1	6.1	6.1	6.5	
P design C	-	kW	2.5	3.4	5.0	6.9	
Energy Label Grade (A+++ to D Scale)	-	-	A++	A++	A++	A++	
Annual Energy Consumption	-	kWh	143	198	290	374	
Capacity	Min - Rated - Max	kW	0.94 - 2.75 - 3.50	1.00 - 3.50 - 3.80	1.50 - 5.10 - 6.00	1.50 - 6.95 - 7.80	
	Max (-7 °C)	kW	2.20	2.15	3.56	4.55	
Power Input	Min - Rated - Max	W	240 - 733 - 1,552	150 - 944 - 1,350	340 - 1,375 - 2,520	460 - 1,873 - 2,650	
Running Current	Min - Rated - Max	A	1.2 - 4.8 - 9.0	1.3 - 4.5 - 6.5	1.7 - 6.5 - 13.0	2.0 - 8.2 - 13.0	
Heating	COP	W/W	3.75	3.71	3.71	3.71	
	SCOP (Average / Warmer)	Average (Warmer)	-	4.0 (5.1)	4.0 (5.1)	4.0 (5.1)	
P design H	-	kW	2.4	2.5	4.1	5.2	
Energy Label Grade (A+++ to D Scale)	Average (Warmer)	-	A+ (A+++)	A+ (A+++)	A+ (A+++)	A+ (A+++)	
Annual Energy Consumption	Average (Warmer)	kWh	858 (659)	875 (878)	1,435 (1,373)	1,820 (1,702)	
INDOOR UNIT			WZ09AWN.SNU1	WZ12AWN.SNU1	WZ18AWN.SNU1	WZ24AWN.SNU1	
Dimensions (W x H x D)	Net	mm	781 x 274 x 197	913 x 309 x 204	913 x 309 x 204	1,008 x 325 x 228	
	Shipping	mm	840 x 335 x 255	979 x 378 x 265	979 x 378 x 265	1,096 x 390 x 297	
Weight	Net	kg	7.6	9.2	9.3	11.8	
Air Filter Type	-	-	Pre Filter (Washable)	Pre Filter (Washable)	Pre Filter (Washable)	Pre Filter (Washable)	
Air Flow Rate	Cooling	L / M / H / SH	m <sup>3</sup> /min	9.7 / 8.5 / 6.5 / 5.5 / 2.8	9.7 / 8.5 / 7.3 / 5.6 / 4.8	14.3 / 12.8 / 9.8 / 7.7 / 6.8	16.7 / 13.2 / 11.8 / 9.5 / 8.2
	Heating	L / M / H / SH	m <sup>3</sup> /min	9.2 / 7.8 / 6.3 / 4.8 / 3.5	8.8 / 7.2 / 5.8 / 4.5 / 4.0	12.8 / 11.0 / 9.2 / 7.2 / 5.3	24.5 / 21.7 / 16.7 / 12.0 / 8.3
Sound Pressure Level	Cooling	SL / L / M / H / SH	dB(A)	42 / 39 / 35 / 31 / 27	38 / 35 / 32 / 27 / 25	48 / 46 / 40 / 34 / 31	52 / 49 / 43 / 38 / 37
	Heating	L / M / H / SH	dB(A)	44 / 40 / 35 / 31 / 27	46 / 35 / 31 / 27 / 25	57 / 45 / 39 / 34 / 30	61 / 49 / 43 / 38 / 34
Sound Power Level	-	dB(A)	54	55	60	65	
Moisture Removal	-	l/h	1.0	1.2	1.5	1.8	
Drain Hose Size	O.D, I.D	mm	19.0, 16.0	19.0, 16.0	19.0, 16.0	19.0, 16.0	
OUTDOOR UNIT			WZ09AWU.SUU1	WZ12AWU.SUU1	WZ18AWU.SUU1	WZ24AWU.SUU1	
Dimensions (W x H x D)	Net	mm	712 x 459 x 276	787 x 498 x 290	863 x 602 x 349	927 x 699 x 380	
	Shipping	mm	765 x 481 x 310	818 x 515 x 325	890 x 628 x 385	950 x 732 x 420	
Weight	Net	kg	20.0	21.1	30.2	38.0	
Air Flow Rate	Max	m <sup>3</sup> /min	28.3	28.3	34.0	39.0	
Sound Pressure Level	Cooling	Rated	dB(A)	54 / 54	54 / 54	55 / 55	58 / 58
	Heating	Rated	dB(A)	53 / 54	54 / 54	55 / 55	60 / 60
Sound Power Level	Rated	dB(A)	64	65	65	69	
Operation Range	Cooling	°C DB	-15 - 48	-15 - 48	-15 - 48	-15 - 48	
	Heating	°C DB	-15 - 24	-15 - 24	-15 - 24	-15 - 24	
Power Supply	Ø V, Hz		1,220 - 240, 50	1,220 - 240, 50	1,220 - 240, 50	1,220 - 240, 50	
Circuit Breaker	A		16	16	16	16	
Power Supply Cable	No. x mm <sup>2</sup>		3 x 1.5	3 x 1.5	3 x 1.5	3 x 1.5	
Power and Communication Cable	No. x mm <sup>2</sup>		4 x 0.75	4 x 0.75	4 x 0.75	4 x 0.75	
	Type / GWP (Global Warming Potential)		R32 / 6/75	R32 / 6/75	R32 / 6/75	R32 / 6/75	
Refrigerant	Pre Charged Amount / t-CO <sub>2</sub> eq	kg	0.52 / 0.351	0.54 / 0.365	0.78 / 0.527	1.00 / 0.675	
	Chargeless	m	5	5	5	5	
	Additional Charge	g/m	16	16	16	16	
Piping	Size	Liquid	mm	Ø 6.35 (1/4")	Ø 6.35 (1/4")	Ø 6.35 (1/4")	Ø 6.35 (1/4")
	Gas	mm	Ø 9.52 (3/8")	Ø 9.52 (3/8")	Ø 9.52 (3/8")	Ø 12.7 (1/2")	
Piping Connection	Piping Length	Min / Standard / Max	m	3 / 5 / 15	3 / 5 / 15	3 / 5 / 15	3 / 5 / 15
	No Charge (Chargeless)	m	5	5	5	5	
Compressor	Max. Elevation Difference	m	10	10	10	10	
	Type	-	Single Rotary	Single Rotary	Single Rotary	Single Rotary	
ACCESSORIES & OTHERS							
Multi Compatible	-	-	-	-	-	-	
PI4BS	-	-	-	-	-	-	
Dry Contact	-	-	-	-	-	-	
Wired Remote Controller	-	-	-	-	-	-	

\* : Sound Pressure is not a value declared on Eurovent Program.  
 ※ This product contains Fluorinated greenhouse gases (R32).  
 ※ S : Sleep / L : Low / M : Medium / H : High  
 ※ GWP : Global warming potential  
 ※ t-CO<sub>2</sub>eq : F-gas(kg)\*GWP/1,000  
 ※ Y : Available or Applied / - : Not Available or Not Applied  
 ※ For our policy of continuous product improvement, specification, design and feature are subject to change without prior notice.

A09GA2N.EEU / A12GA2N.EEU / A09GA1.NSE / A12GA1.NSE

(Unit : mm)

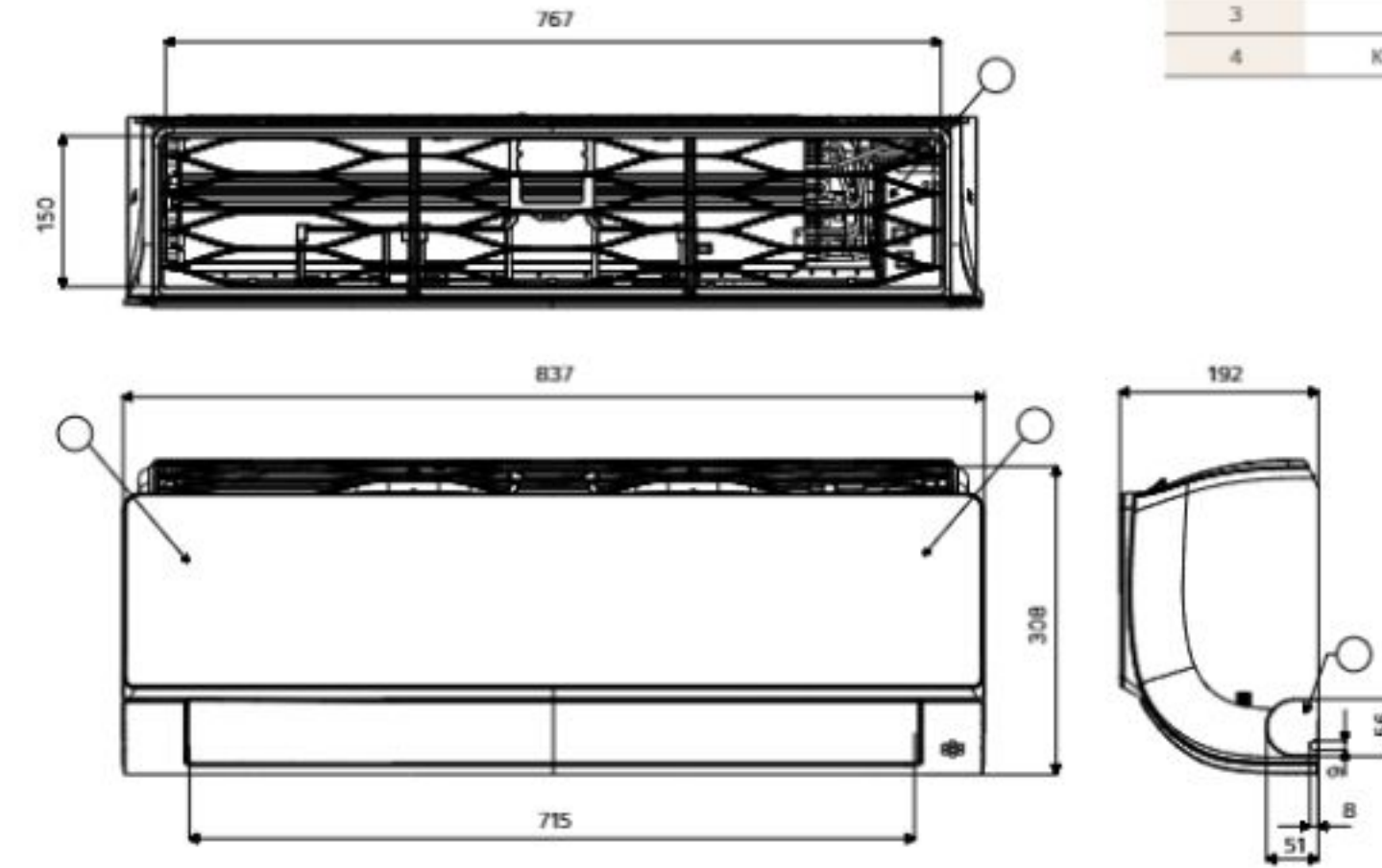
ITEM NO.	PART NAME	REMARK
1	Inlet Grille	
2	Signal Receiver	
3	Front Grille	
4	Knockout Hole	For Pipe and Cable



AC09BK.NSJ / AC12BK.NSJ

(Unit : mm)

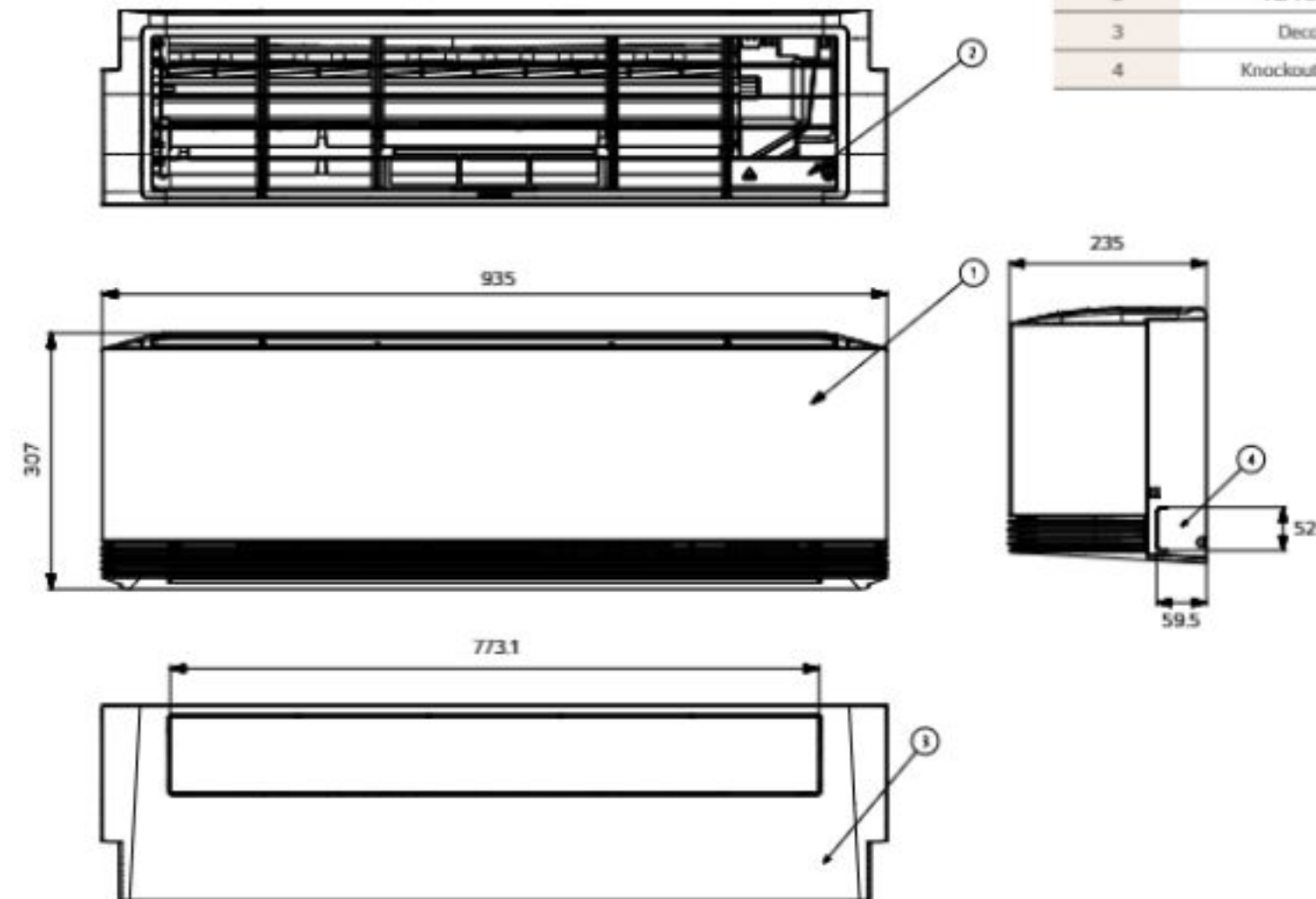
ITEM NO.	PART NAME	REMARK
1	Front Panel	
2	Display & Signal Receiver	
3	Air Filter	
4	Knockout Hole	For Pipe and Cable



AA09SP.NS1 / AA12SP.NS1 / AA18SP.NS1

(Unit : mm)

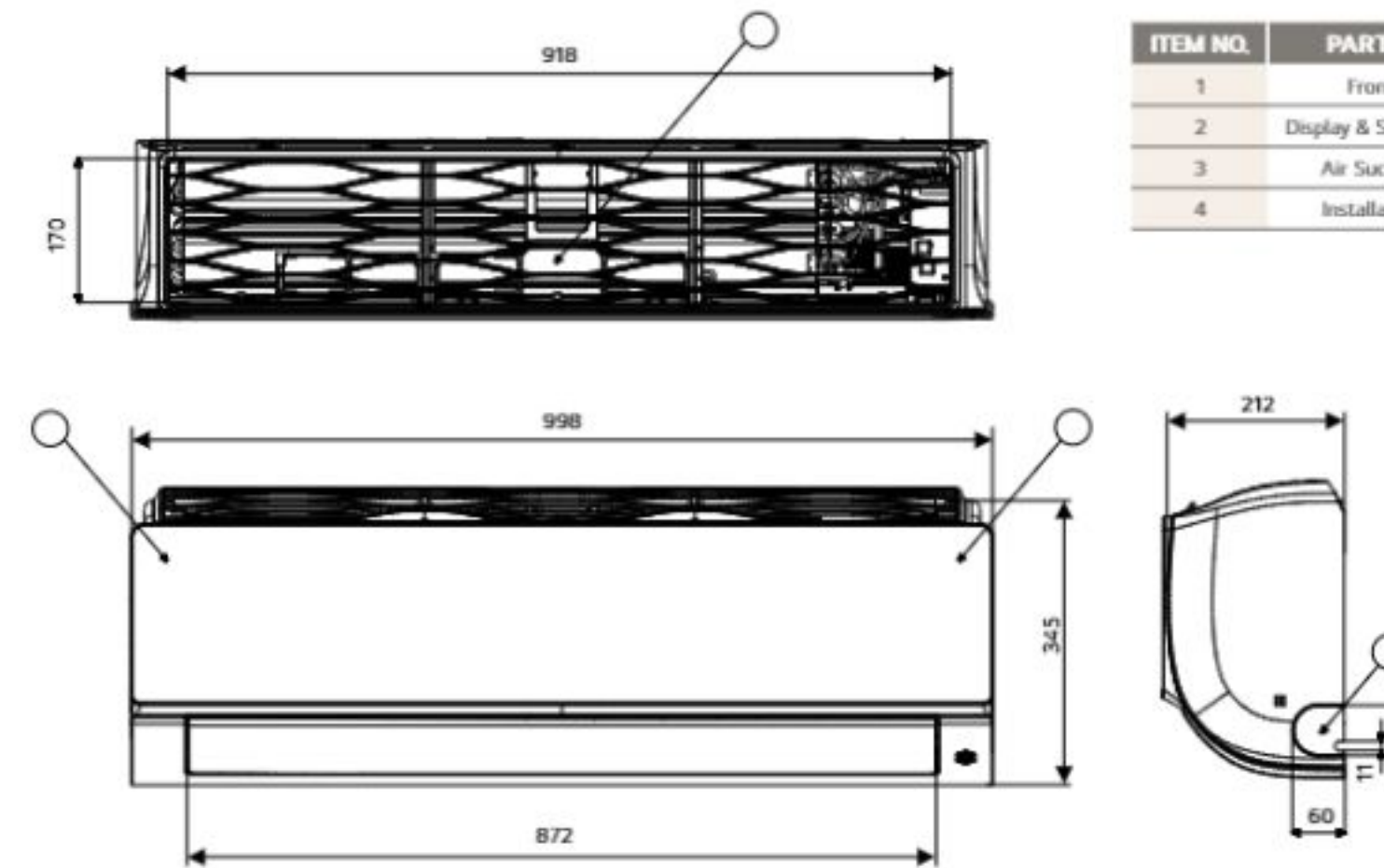
ITEM NO.	PART NAME	REMARK
1	Front Grill	
2	Air Filter	
3	Decor	
4	Knockout Hole	For Pipe and Cable



AC18BK.NSK / AC24BK.NSK

(Unit : mm)

ITEM NO.	PART NAME	REMARK
1	Front Panel	
2	Display & Signal Receiver	
3	Air Suction Filter	
4	Installation Plate	

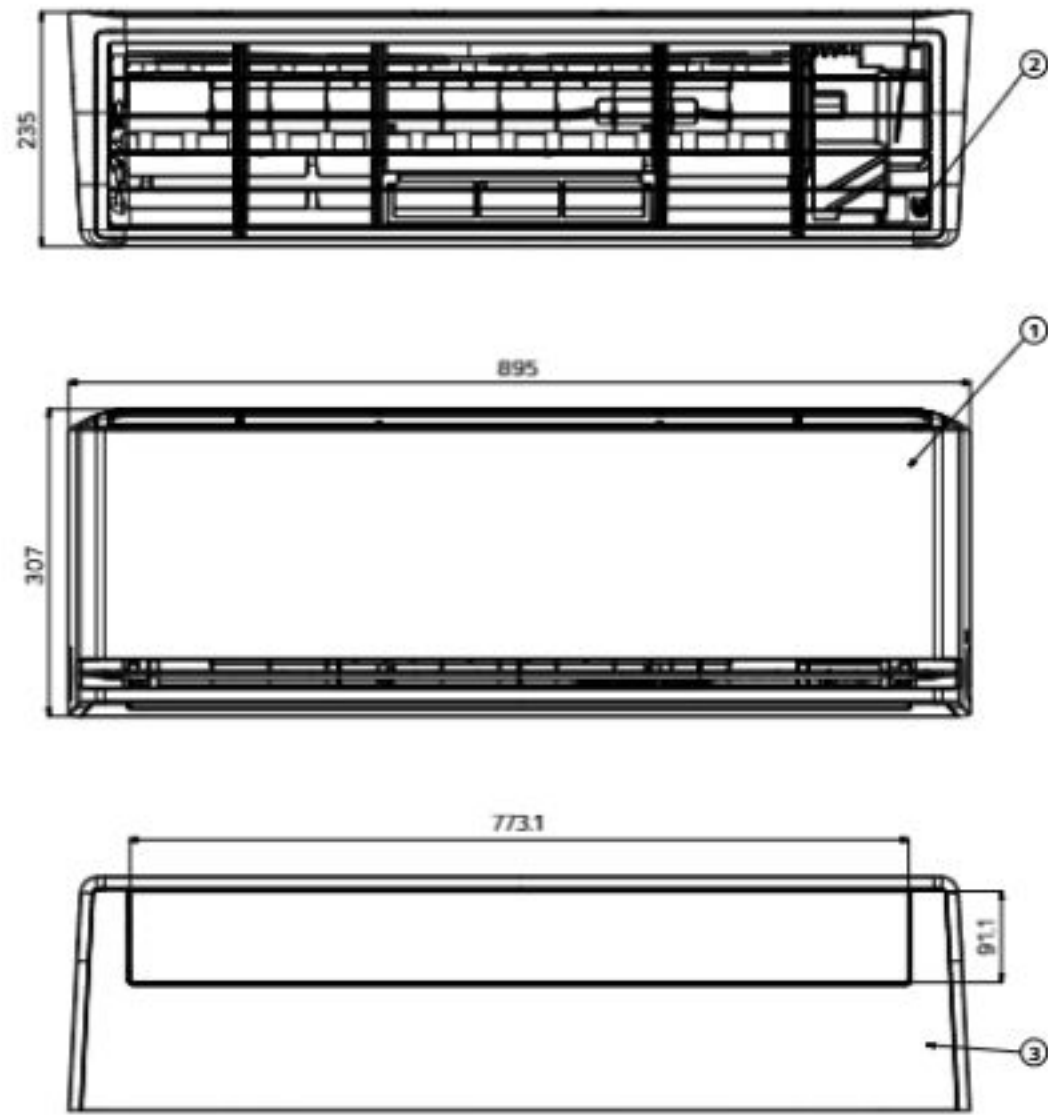


※ For our policy of continuous product improvement, specification, design and feature are subject to change without prior notice.

※ For our policy of continuous product improvement, specification, design and feature are subject to change without prior notice.

H09S1PA.NS1 / H12S1PA.NS1  
H09S1DA.NS1 / H12S1DA.NS1 / H18S1DA.NS1 / H24S1DA.NS1

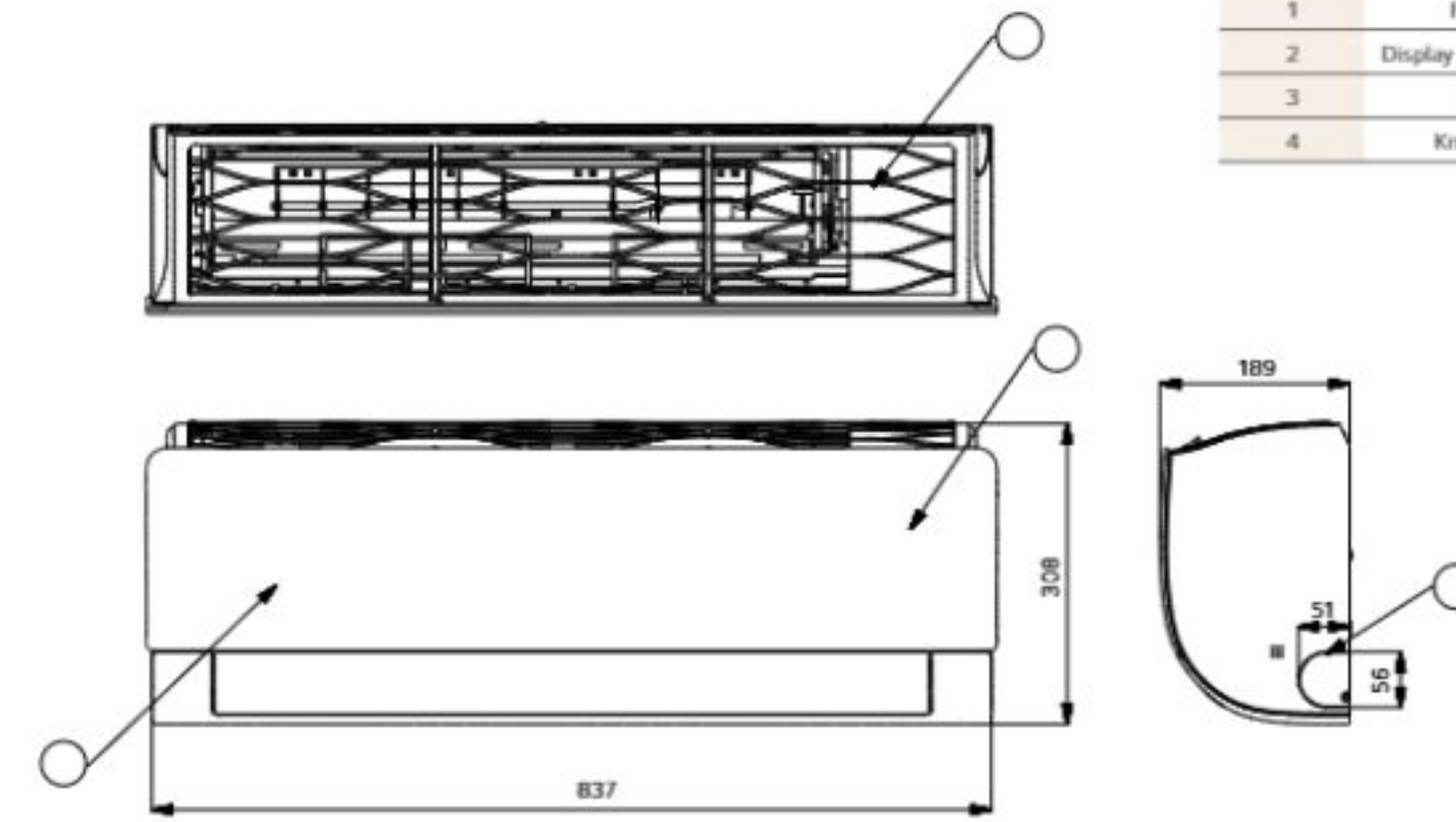
(Unit : mm)



ITEM NO.	PART NAME	REMARK
1	Front Grill	
2	Air Filter	
3	Decor	
4	Knockout Hole	For Pipe and Cable

PZ09EYN.CSJ1 / PZ12EYN.CSJ1  
EZ09CYN.CSJ1 / EZ12CYN.CSJ1  
EZ09CSN.CSJ1 / EZ12CSN.CSJ1

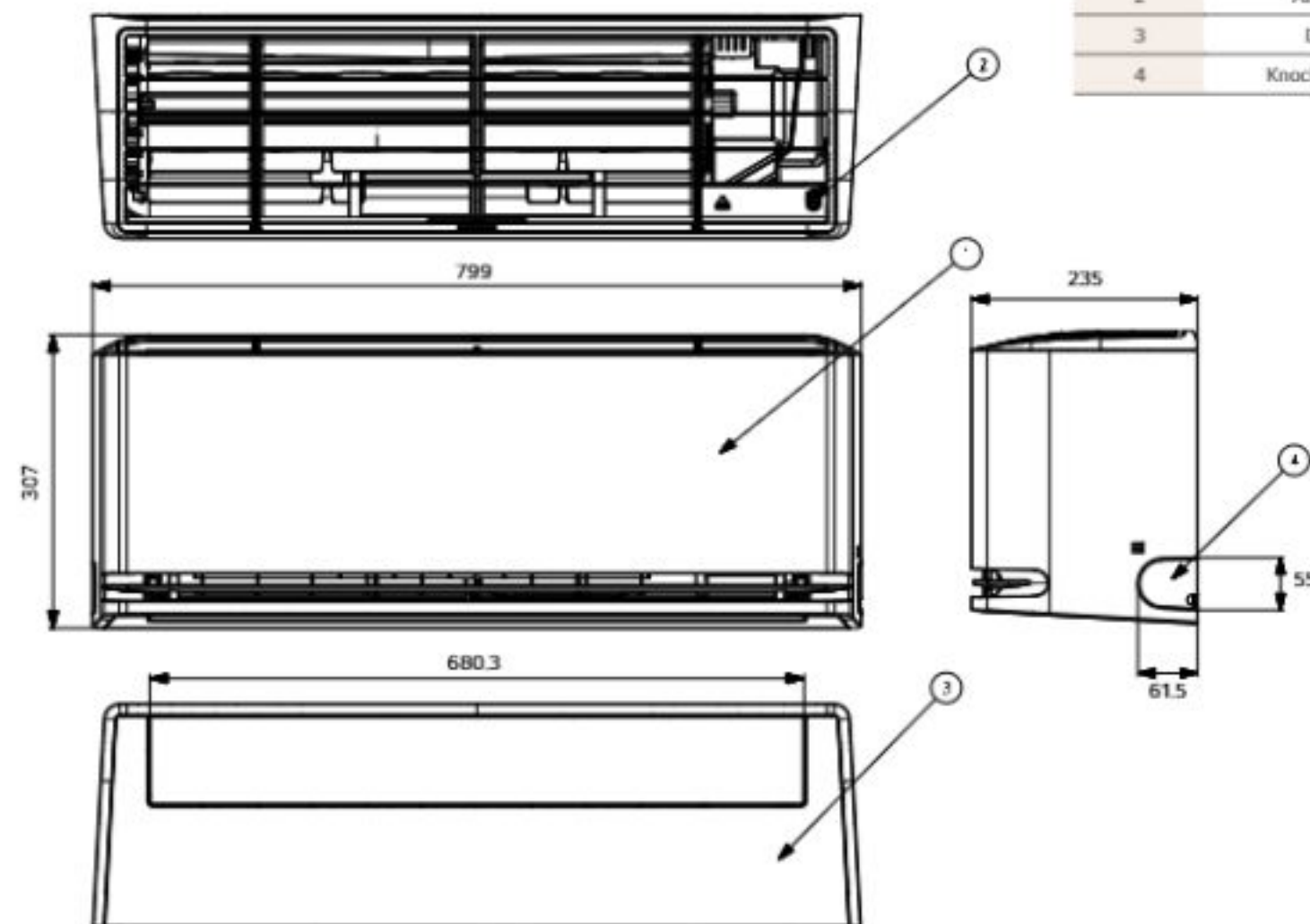
(Unit : mm)



ITEM NO.	PART NAME	REMARK
1	Front Panel	
2	Display & Signal Receiver	Hidden
3	Air Filter	
4	Knockout Hole	For Pipe and Cable

P09SND.NS0 / P12SND.NS0

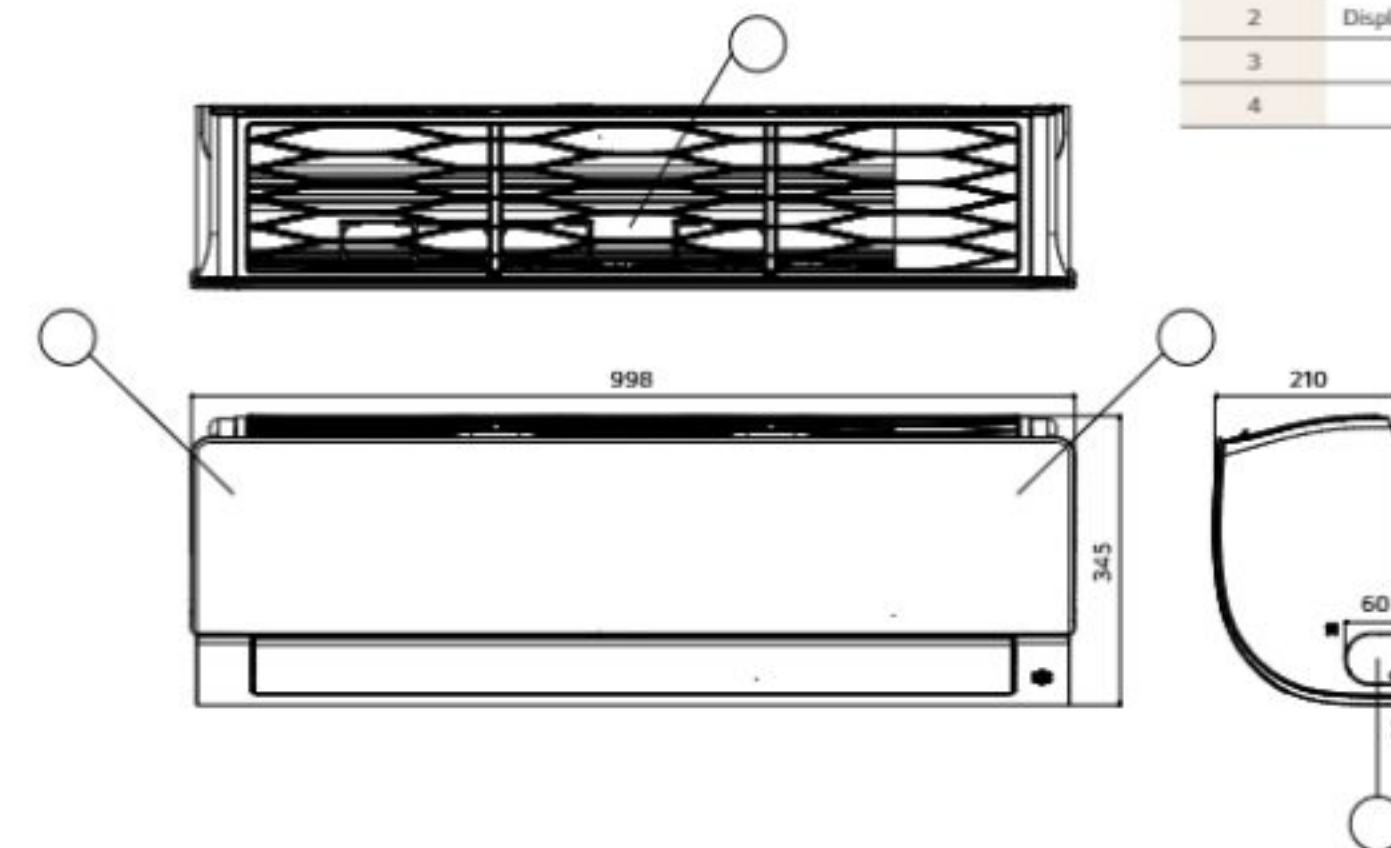
(Unit : mm)



ITEM NO.	PART NAME	REMARK
1	Front Grill	
2	Air Filter	
3	Decor	
4	Knockout Hole	For Pipe and Cable

PZ18EYN.CSK1 / PZ24EYN.CSK1  
EZ18CYN.CSK1 / EZ24CYN.CSK1  
EZ18CSN.CSK1 / EZ24CSN.CSK1

(Unit : mm)



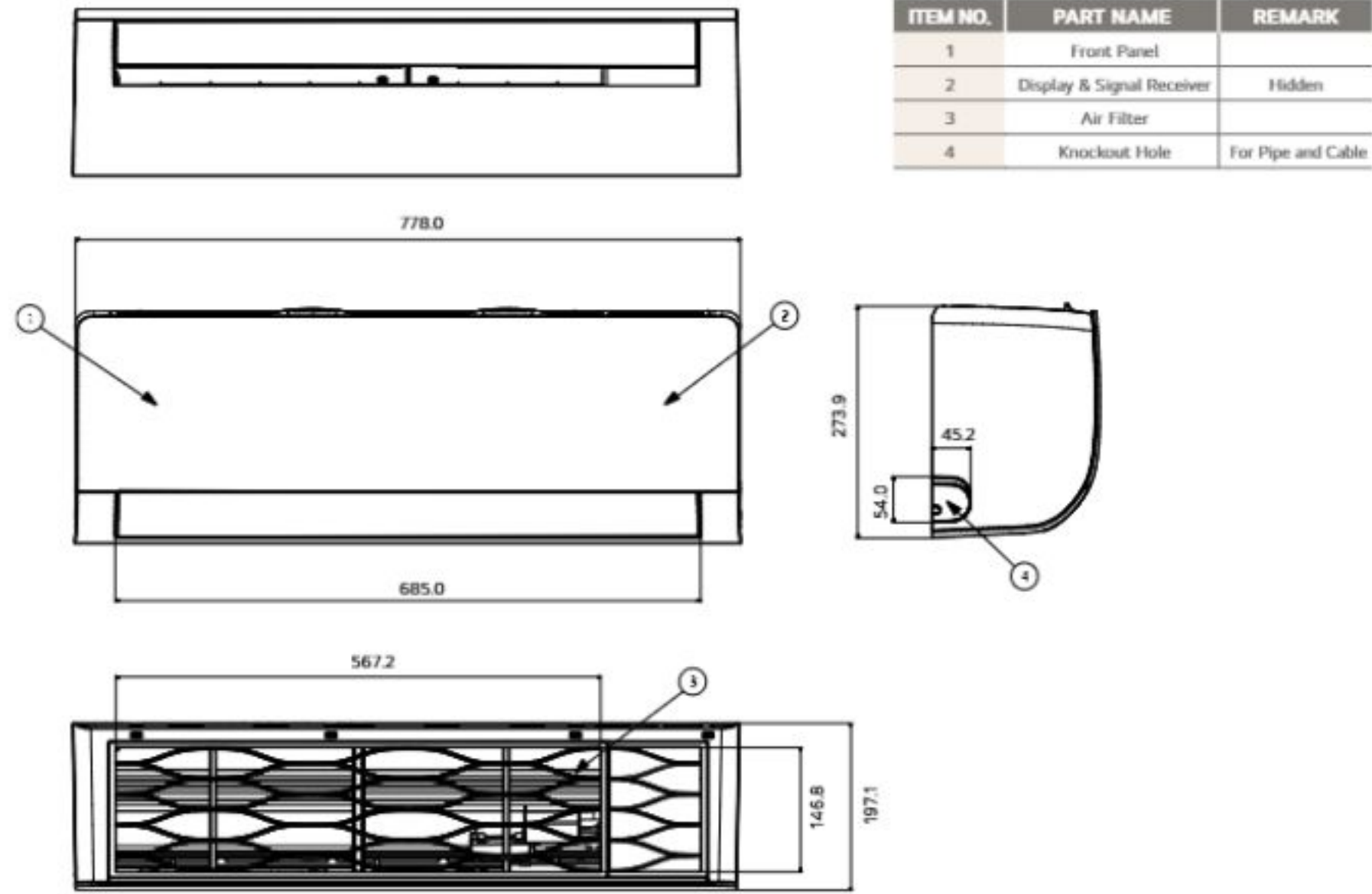
ITEM NO.	PART NAME	REMARK
1	Front Panel	
2	Display & Signal Receiver	Hidden
3	Air Filter	
4	Knockout Hole	For Pipe and Cable

※ For our policy of continuous product improvement, specification, design and feature are subject to change without prior notice.

※ For our policy of continuous product improvement, specification, design and feature are subject to change without prior notice.

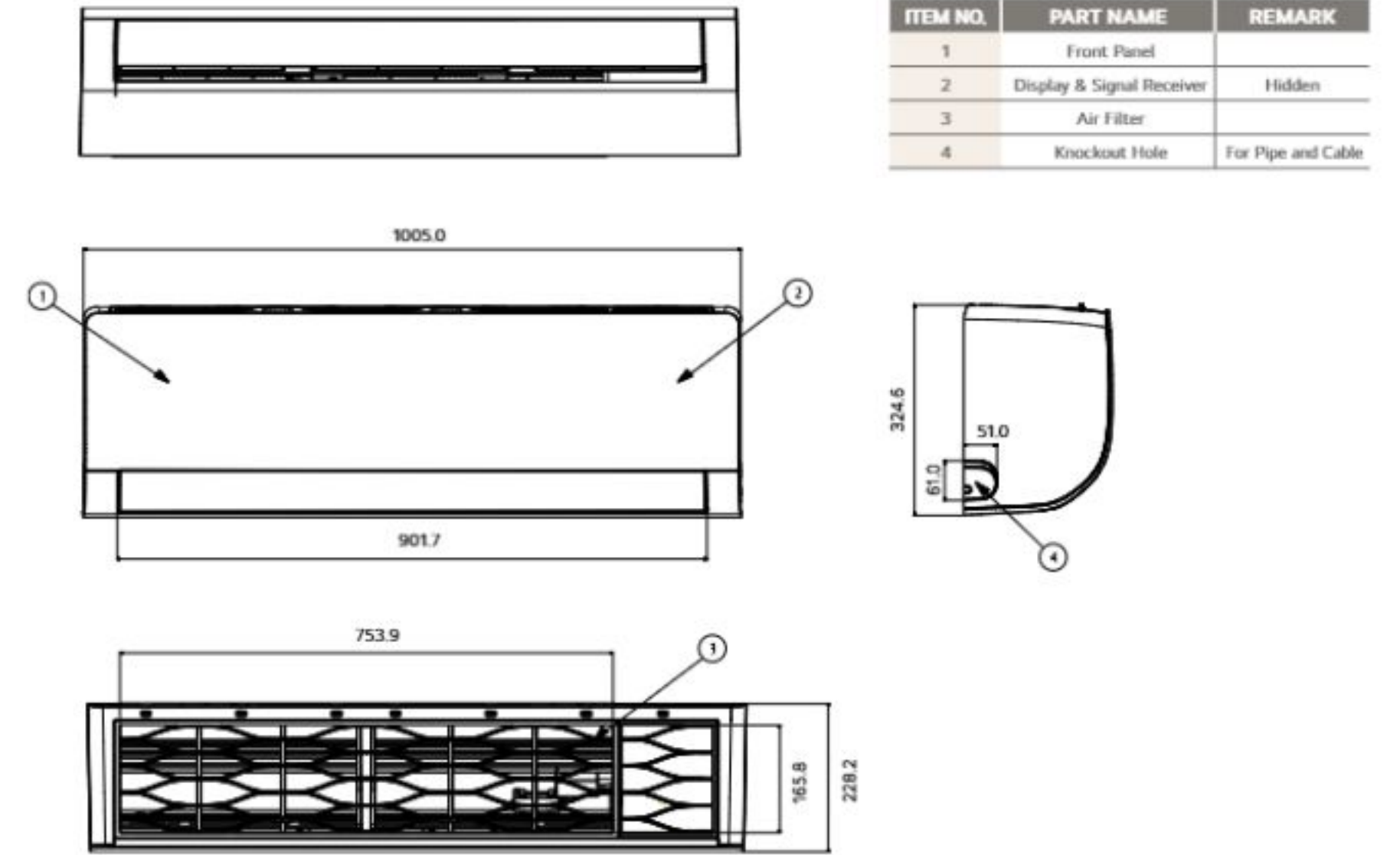
WZ09AWN.SNU1

(Unit : mm)



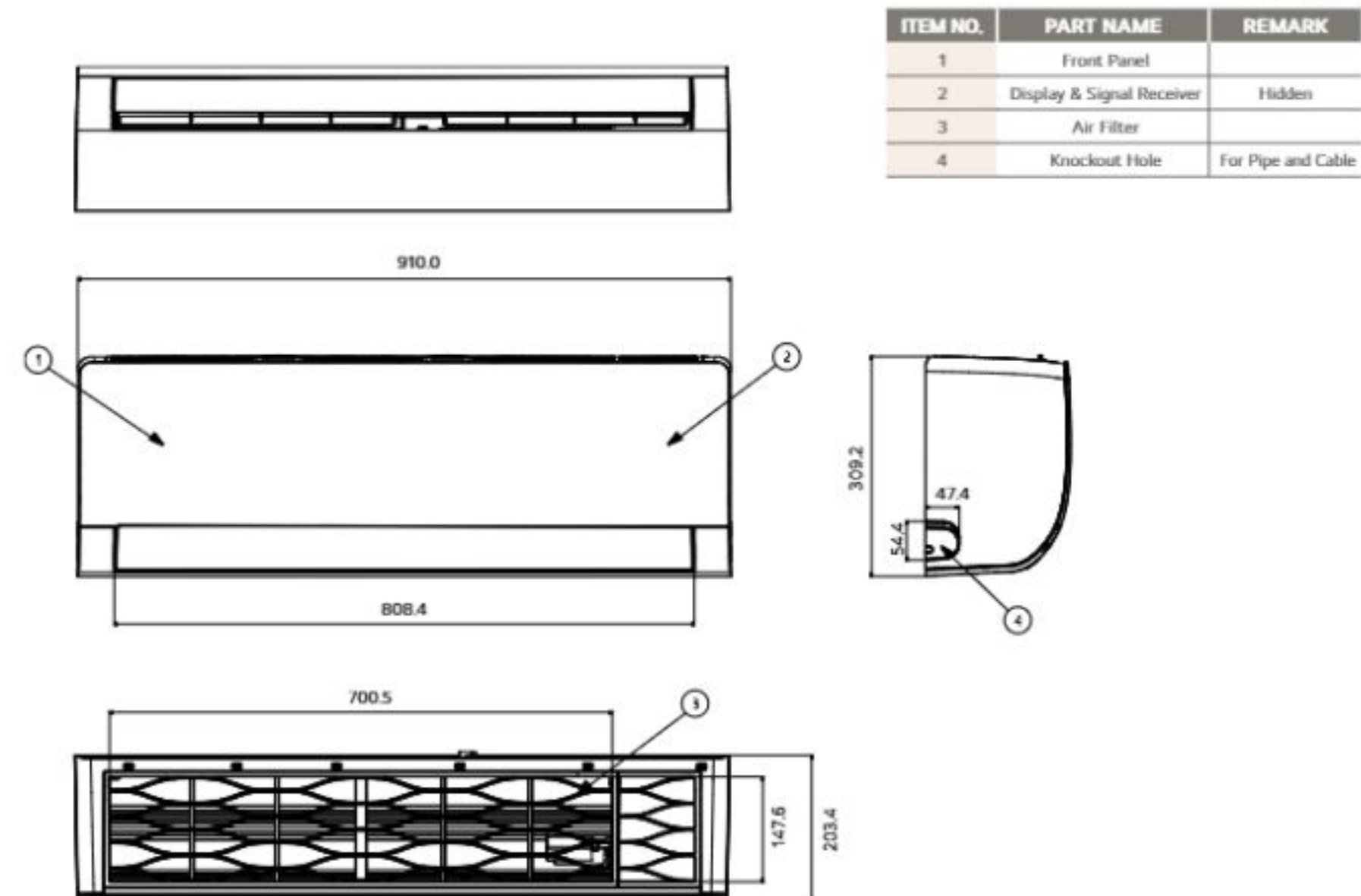
WZ24AWN.SNU1

(Unit : mm)



WZ12AWN.SNU1 / WZ18AWN.SNU1

(Unit : mm)

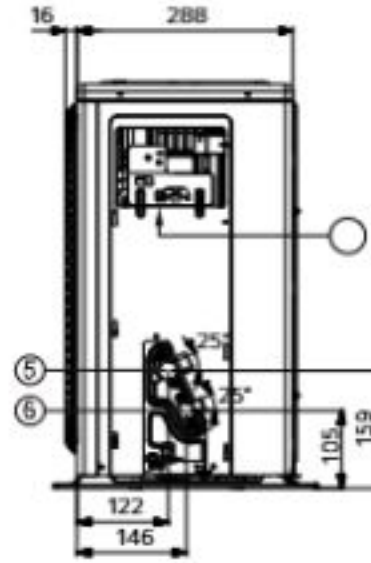
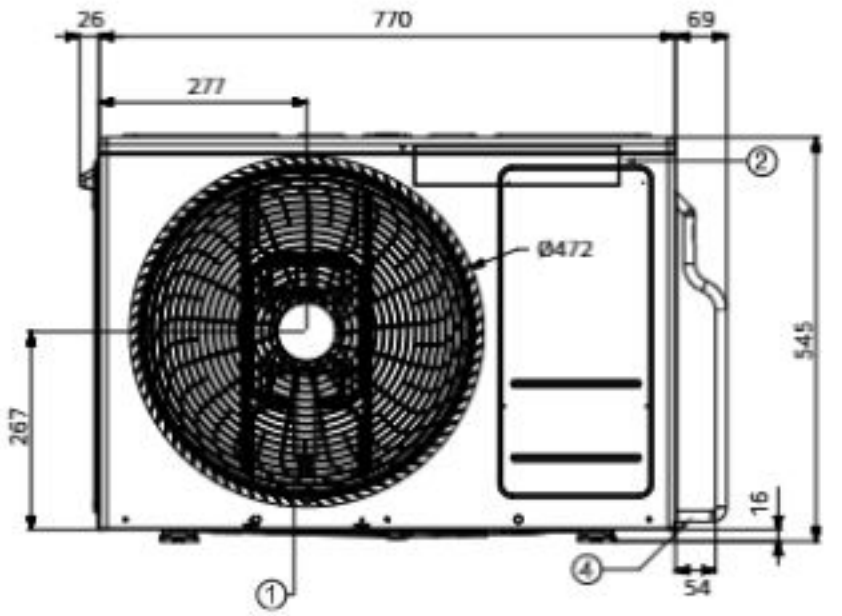
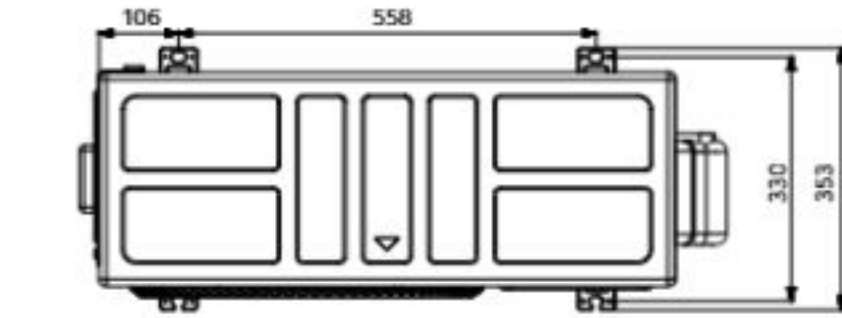


※ For our policy of continuous product improvement, specification, design and feature are subject to change without prior notice.

※ For our policy of continuous product improvement, specification, design and feature are subject to change without prior notice.

A09GA2U.EEU / A12GA2U.EEU / A09GA1.U18 / A12GA1.U18  
 AA09SP.U18 / AA12SP.U18 / AA18SP.U18  
 H09S1PA.U18 / H12S1PA.U18 / H18S1DA.U18  
 PZ18EYU.CL21 / EZ18CYU.CL21 / EZ18CSU.CL21

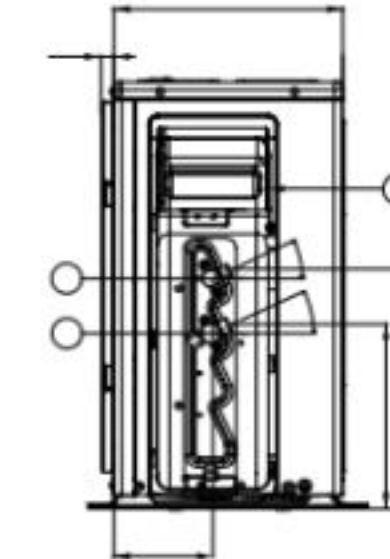
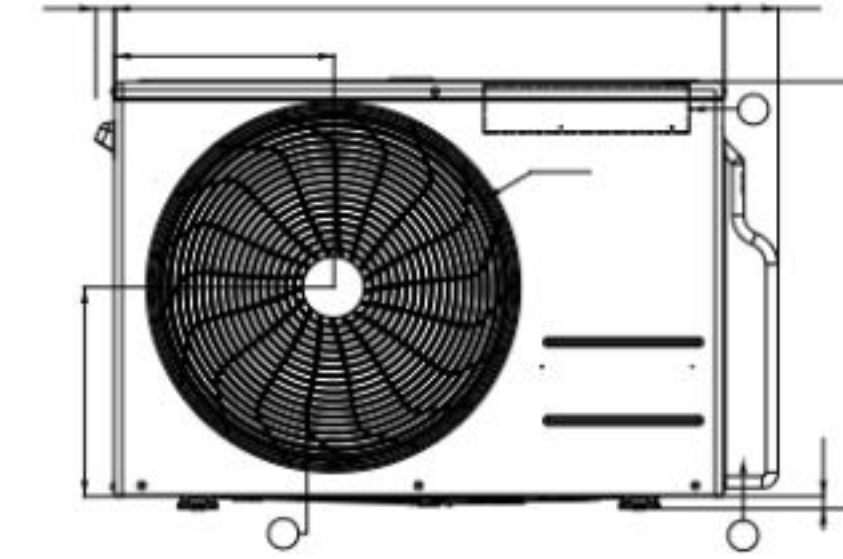
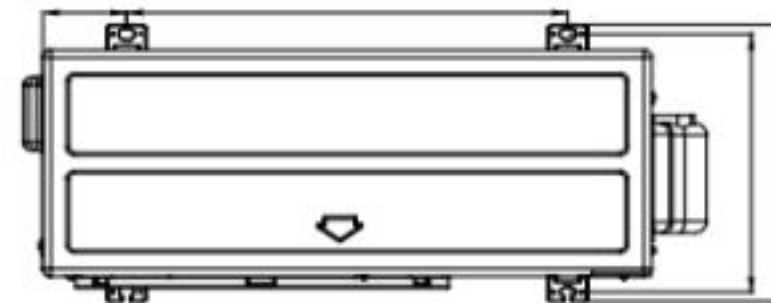
(Unit : mm)



ITEM NO.	PART NAME
1	Air Outlet
2	Control Box
3	Power and Communication Cable Hole
4	Service Valve Cover
5	Gas Pipe Connection
6	Liquid Pipe Connection

AC18BK.U12

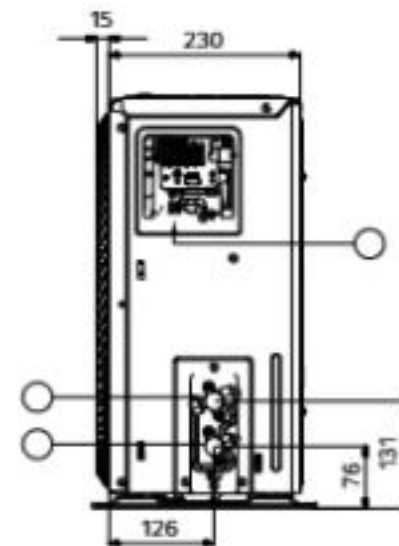
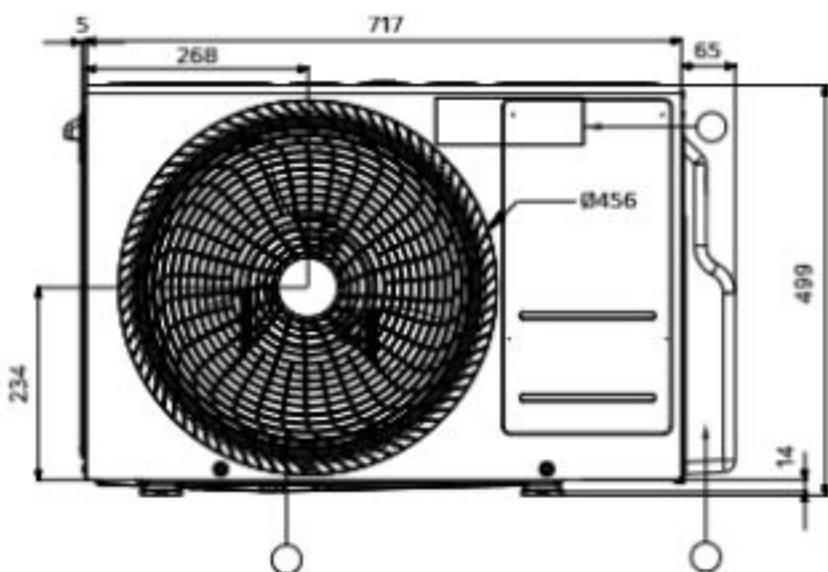
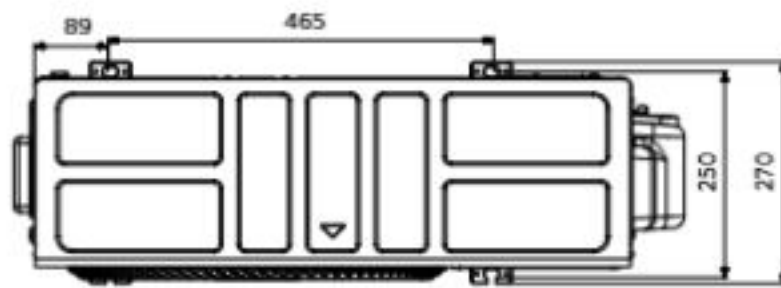
(Unit : mm)



ITEM NO.	PART NAME
1	Air Outlet
2	Control Box
3	Power and Communication Cable Hole
4	Service Valve Cover
5	Gas Pipe Connection
6	Liquid Pipe Connection

AC09BK.UA3 / AC12BK.UA3 / P09SND.U12A / P12SND.U12A  
 H09S1DA.U12 / H12S1DA.U12 / PZ09EYU.CA31 / PZ12EYU.CA31  
 EZ09CYU.CA31 / EZ12CYU.CA31 / EZ09CSU.CA31 / EZ12CSU.CA31

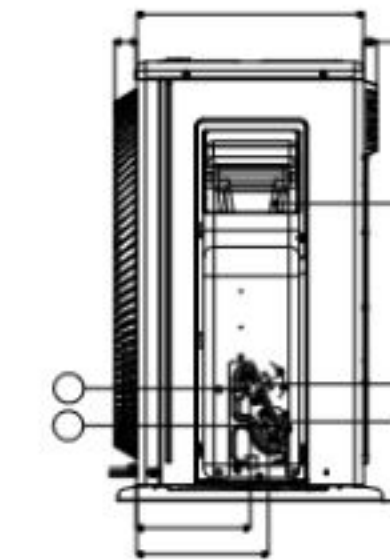
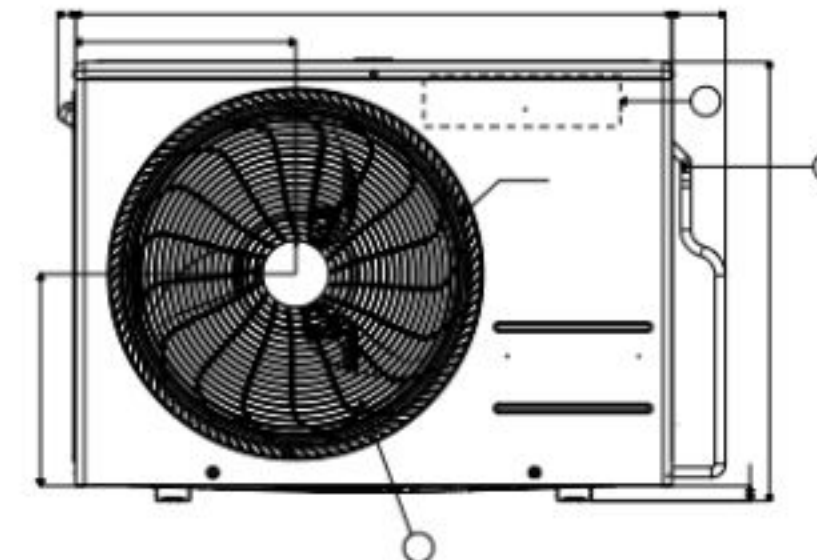
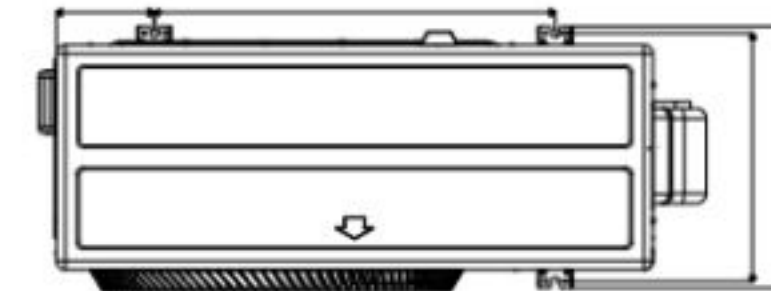
(Unit : mm)



ITEM NO.	PART NAME
1	Air Outlet
2	Control Box
3	Power and Communication Cable Hole
4	Service Valve Cover
5	Gas Pipe Connection
6	Liquid Pipe Connection

AC24BK.U24 / H24S1DA.U24 / PZ24EYU.C241  
 EZ24CYU.C241 / EZ24CSU.C241

(Unit : mm)



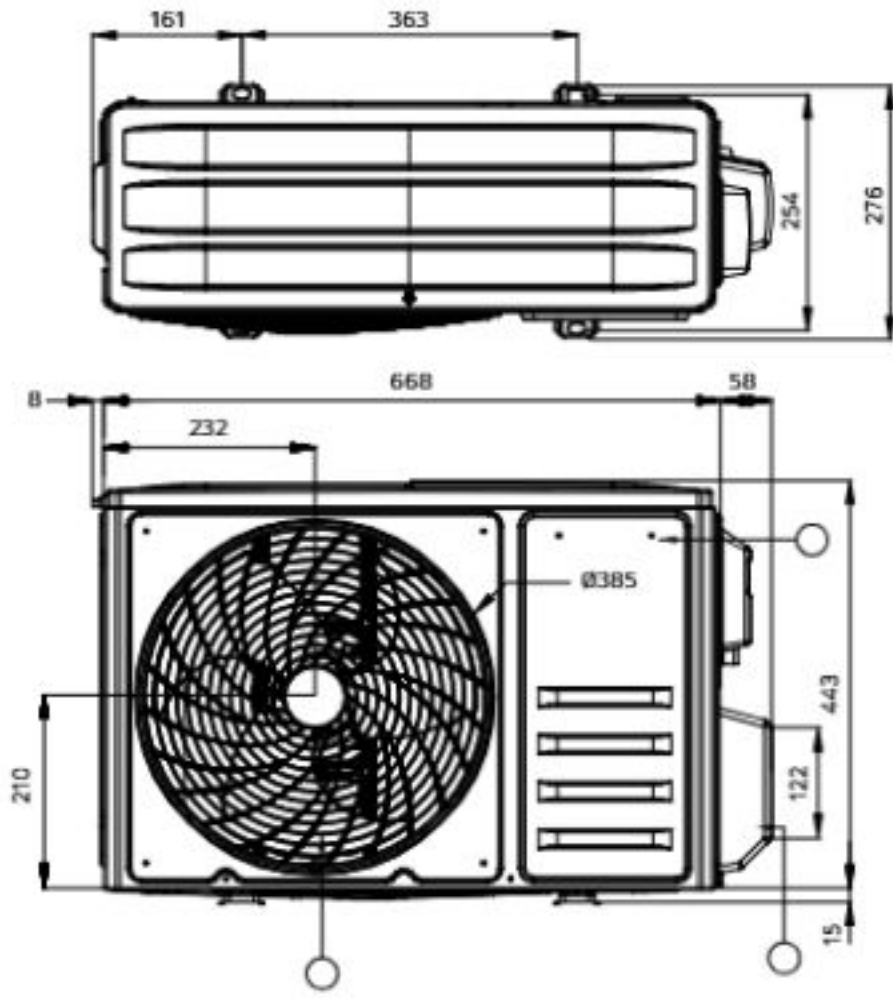
ITEM NO.	PART NAME
1	Air Outlet
2	Control Box
3	Power and Communication Cable Hole
4	Service Valve Cover
5	Gas Pipe Connection
6	Liquid Pipe Connection

※ For our policy of continuous product improvement, specification, design and feature are subject to change without prior notice.

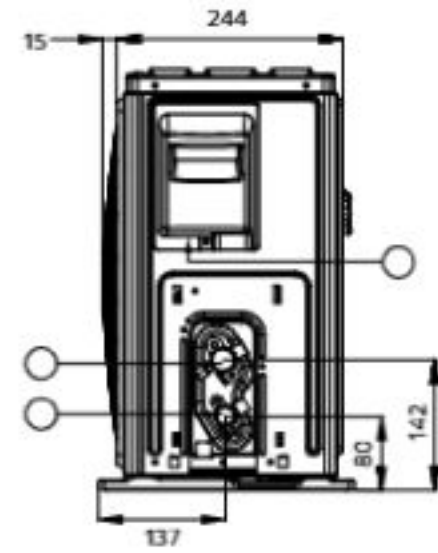
※ For our policy of continuous product improvement, specification, design and feature are subject to change without prior notice.

WZ09AWU.SUU1

(Unit : mm)

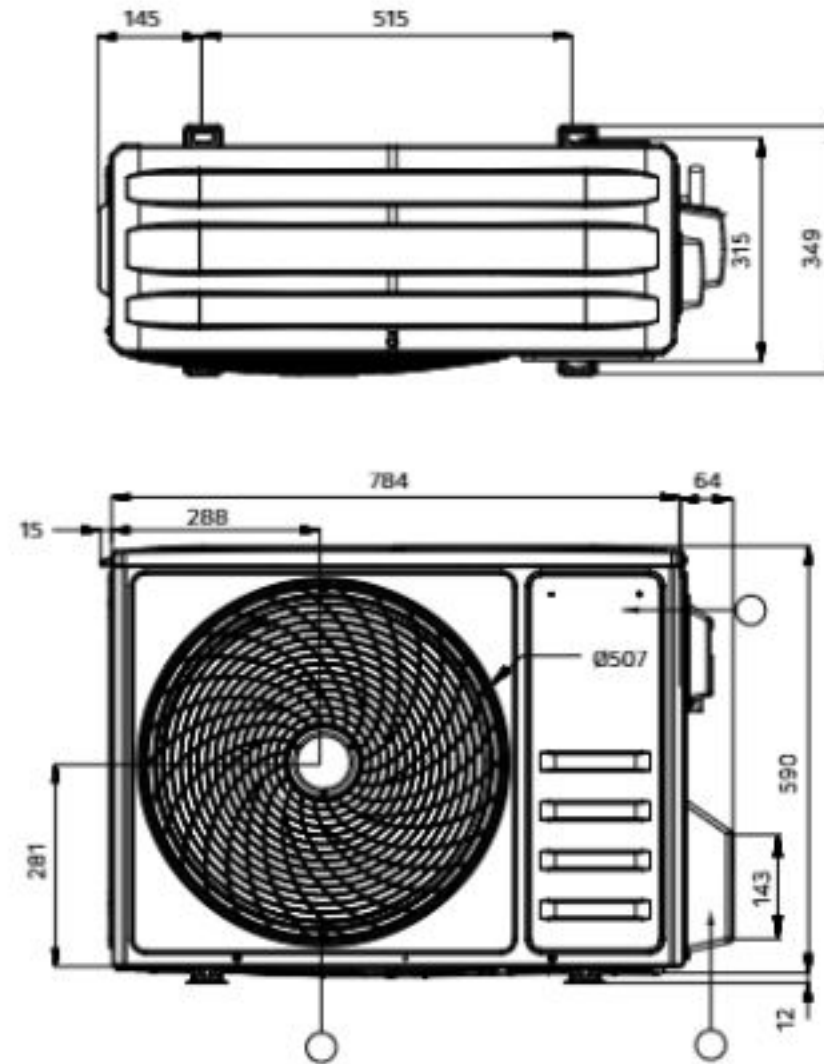


ITEM NO.	PART NAME
1	Air Outlet
2	Control Box
3	Power and Communication Cable Hole
4	Service Valve Cover
5	Gas Pipe Connection
6	Liquid Pipe Connection

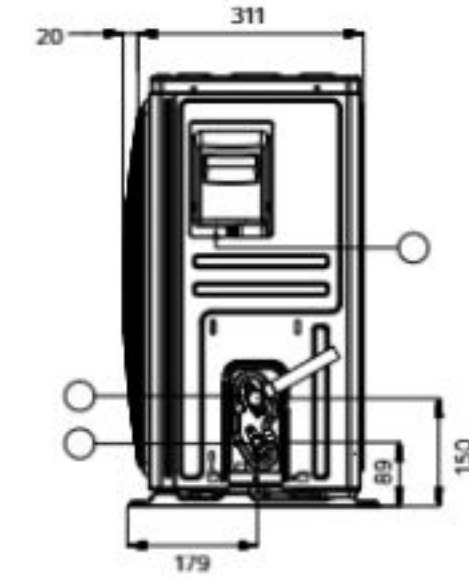


WZ18AWU.SUU1

(Unit : mm)

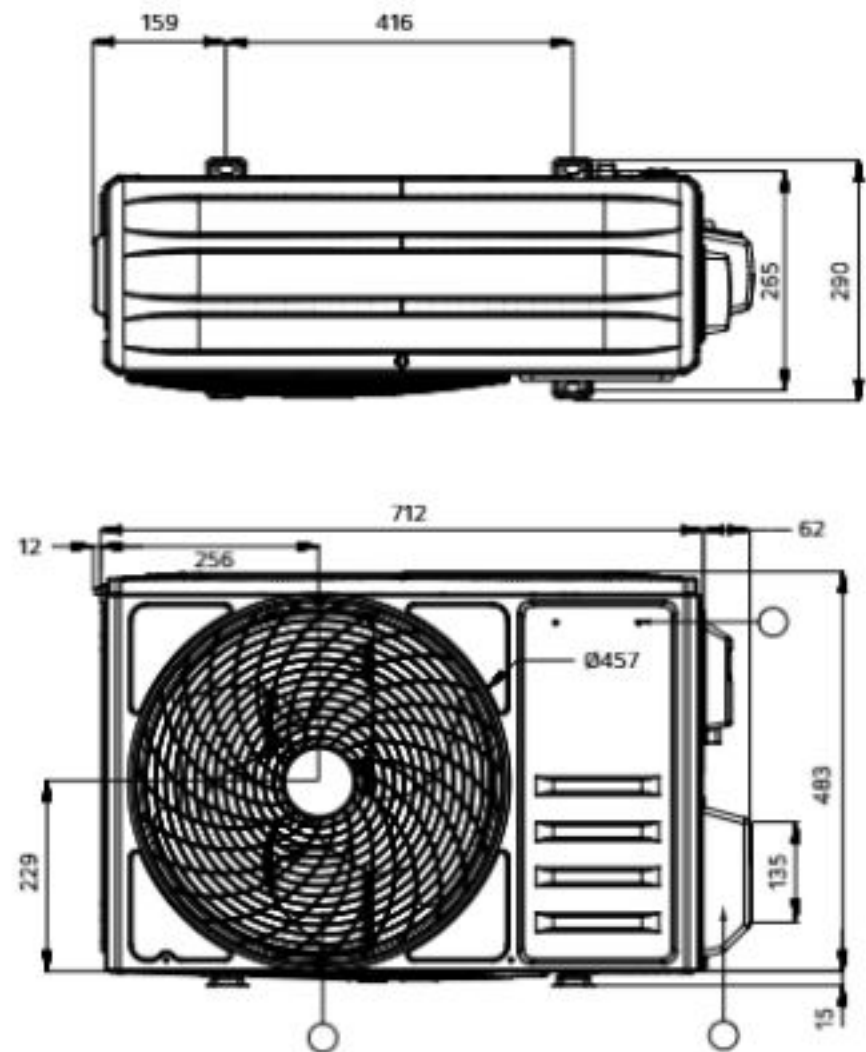


ITEM NO.	PART NAME
1	Air Outlet
2	Control Box
3	Power and Communication Cable Hole
4	Service Valve Cover
5	Gas Pipe Connection
6	Liquid Pipe Connection

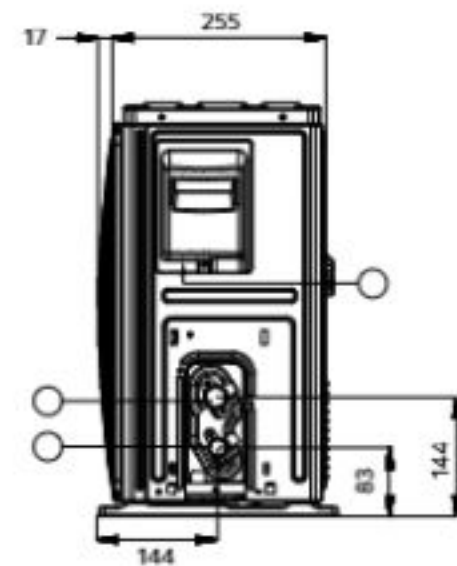


WZ12AWU.SUU1

(Unit : mm)

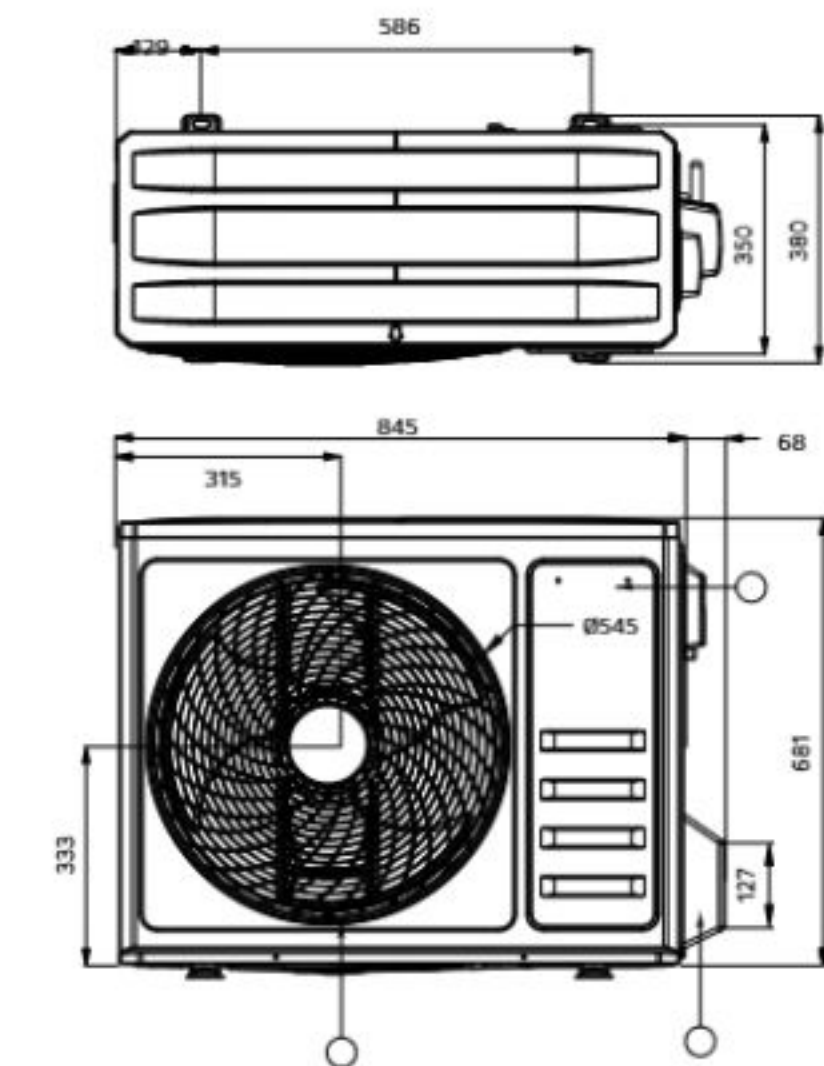


ITEM NO.	PART NAME
1	Air Outlet
2	Control Box
3	Power and Communication Cable Hole
4	Service Valve Cover
5	Gas Pipe Connection
6	Liquid Pipe Connection

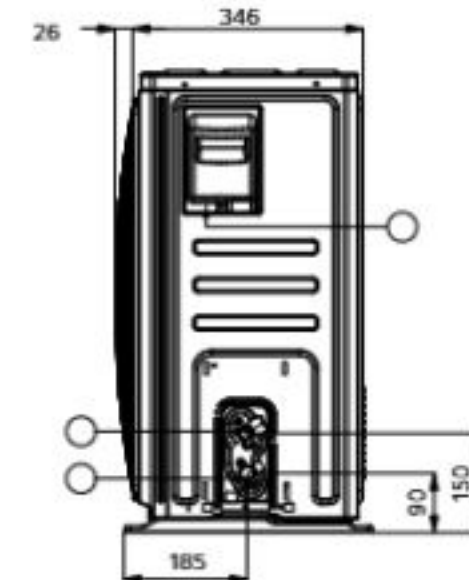


WZ24AWU.SUU1

(Unit : mm)



ITEM NO.	PART NAME
1	Air Outlet
2	Control Box
3	Power and Communication Cable Hole
4	Service Valve Cover
5	Gas Pipe Connection
6	Liquid Pipe Connection



※ For our policy of continuous product improvement, specification, design and feature are subject to change without prior notice.

※ For our policy of continuous product improvement, specification, design and feature are subject to change without prior notice.

	BTU	ARTCOOL				DUALCOOL				
		Gallery Premium	Gallery Special	AI Air Mirror	Mirror	AI Air Premium	AI Air Deluxe	AI Air Special	P Series	E Series
Dry Contact	9k	Y	Y	Y	Y	Y	Y	Y	Y	Y
	12k	Y	Y	Y	Y	Y	Y	Y	Y	Y
	18k			Y	Y		Y		Y	Y
	24k				Y		Y		Y	Y
PI 485	9k	Y	Y	Y		Y				
	12k	Y	Y	Y		Y				
	18k			Y	Y		Y		Y	Y
	24k				Y		Y		Y	Y
Wired Remote Controller	9k	Y	Y	Y	Y	Y	Y	Y	Y	Y
	12k	Y	Y	Y	Y	Y	Y	Y	Y	Y
	18k			Y	Y		Y		Y	Y
	24k				Y		Y		Y	Y

\* Y : Available

### Standard Wired Remote Controller



Standard III  
PREMTB101

Standard III  
PREMTBB11



Standard II  
PREMTB001

Standard II  
PREMTBB01

Model Name	PREMTB101 PREMTBB11	PREMTB001 PREMTBB01
Operation Mode	On / Off, Fan Speed Control, Temperature Setting	
Mode Change	Cooling, Heating, Auto, Dehumidification, Fan	
Auto Swing / Vane Control	•	•
Reservation	Simple, Sleep, On / Off, Weekly, Holiday	
Time Display	•	•
Electrical Failure Compensation	•	•
Child Lock	•	•
Operation Status LED	•	•
Indoor Temperature Display	•	•
Wireless Remote Controller Receiver	-	•
Size (W x H x D, mm)	120 x 120 x 16	120 x 121 x 16
Backlight	•	•
Display AirQuality Status	-	-

† Refer to each model PDB for applicable models.

### PI 485



PMNFP14A1

Power : Single phase AC 220 V 50/60 Hz  
 Max. no of the indoor units that can be connected : 64 Units  
 Model applied : RAC / Multi / Single / THERMA V  
 ※ Refer to each product PDB for applicable models.

### Dry Contact



PDRYCB000

PDRYCB400



PDRYCB320

PDRYCB500 /  
PDRYCB510\*

※ Refer to each product PDB for applicable models.  
 \* No case for PDRYCB510

Model	PDRYCB000	PDRYCB400	PDRYCB320	PDRYCB500 / PDRYCB510*
Contact Point	1 Control Point	2 Control Point	8 Control Point	Modbus RTU
Power Input	AC 220V from outside power source	DC 5V & 12V from indoor unit PCB	DC 5V & 12V from indoor unit PCB	DC 5V & 12V from indoor unit PDB
Voltage / Non Voltage Input	-	•	•	-
On / Off Control	•	•	•	•
Lock / Unlock	-	•	-	-
Fan Speed Setting	-	-	•	•
Thermo Off	-	•	•	-
Energy Saving	-	•	-	-
Temperature Setting	-	•	•	•
Error Monitoring	•	•	•	•
Operation Monitoring	•	•	•	•

## Remote Controller

ARTCOOL  
Gallery Premium

Image	Description
	<b>Power</b> Turns the appliance on or off. <b>Connecting to LG ThinQ</b> Press and hold the <b>Power</b> button for 3 seconds to prepare the status for connecting appliance and wi-fi.
	<b>Mode</b> Selects the desired operating mode. • Each press changes the mode in this order : <b>Cooling</b> → <b>Auto</b> → <b>Dehumidification</b> → <b>Heating</b> → <b>Fan</b> <b>Connecting the Appliance and Remote Control</b> Press and hold the <b>Mode</b> button for about 3 seconds to connect the appliance and remote control.
	<b>Sleep</b> Automatically turns the appliance off at a desired time. Use it before sleeping.
	<b>Display</b> Turns the appliance's screen on, off, or changes it. • Each time you press the  button, the appliance screen changes in the order of cover screen & home screen. <b>Turning the Appliance's Screen On or Off</b> Press and hold the  button for 3 seconds to turn the appliance's screen on or off
	<b>Energy/Jet</b> Selects the desired function. • In the Cooling mode, each time you press the <b>Energy/Jet</b> button the mode changes in the following order : <b>Energy Saving</b> → <b>Smart Care</b> → <b>Jet Cooling</b> → <b>Cooling</b> . • In the Heating mode, each time you press the <b>Energy/Jet</b> button the mode changes in the following order : <b>Smart care</b> → <b>Jet Heating</b> → <b>Heating</b> . <b>Turning Indirect Airflow On or Off</b> Press and hold the <b>Energy/Jet</b> button for 3 seconds to turn Indirect Airflow on or off
	<b>Temperature</b> Adjusts the desired room temperature.
	<b>Fan Speed</b> Adjusts the fan speed. • The fan speed can be set in the order of <b>1</b> ↔ <b>2</b> ↔ <b>3</b> ↔ <b>4</b> ↔ <b>5</b> ↔ <b>Auto</b> levels.
	<b>Pointer</b> Checks or sets various functions on the appliance screen using the remote control.
	<b>Sound Volume -</b> Reduces or turns off the notification sounds that occur when you set up or change appliance features.
	<b>Sound Volume +</b> Turns on or increases the notification sounds that occur when you set up or change appliance features.
	<b>Function</b> Sets Plasmaster Ionizer, Auto Clean+, Freeze Cleaning, Sleep Timer, On Timer, Off Timer, Cancel all Timer, Smart Diagnosis, and LED Light.
	<b>Reset</b> Resets the wireless remote control setting. Open the remote control battery cover and then press the <b>Reset</b> button to reset it.
	If the appliance system operates slowly or freezes while using the appliance, or if the appliance suddenly turns off, you can restart the product. • Press and hold the  button and the  button on the remote control at the same time for 3 seconds.

## Setting Functions

Image	Description
	<b>Plasmaster Ionizer</b> Ion particles from Ionizer reduce the surface bacteria and other harmful substances.
	<b>Auto Clean+</b> Moisture remaining in the heat exchanger can be reduced by operating the appliance in a blowing state for a certain period of time.
	<b>Freeze Cleaning</b> Contaminants such as dust are reduced by repeating the process of freezing and thawing the heat exchanger inside the appliance.
	<b>Sleep Timer</b> Sets sleep mode to help you sleep better. • Sleep mode starts from 30 minutes and can be set in hourly increments up to 12 hours.
	<b>On Timer</b> Sets the appliance to turn on automatically at a desired time. • For On Timer, you can set the desired time in 1-hour increments from 1 hour to 24 hours.
	<b>Off Timer</b> Sets the appliance to turn off automatically at a desired time. • For Off Timer, you can set the desired time in 1-hour increments from 1 hour to 24 hours.
	<b>Cancel all Timer</b> Cancels all timer settings.
	<b>Smart Diagnosis</b> Easily check the maintenance information of an appliance.
	<b>LED Light</b> Turns on and off the LED light which is located on the lower right side of the appliance.

## NOTE

- If the remote control is not connected, some functions cannot be used.
- When you turn the remote control off and on again, the last used settings will appear on the remote control display.
- The remote control display may differ from the image in the owner's manual depending on the model.

ARTCOOL  
Gallery Special

Image	Description
	<b>Power</b> Turns the appliance on or off. <b>Connecting to LG ThinQ</b> Press and hold the <b>Power</b> button for 3 seconds to prepare the status for connecting appliance and wi-fi.
	<b>Mode</b> Selects the desired operating mode. • Each press changes the mode in this order : <b>Cooling</b> → <b>Auto</b> → <b>Dehumidification</b> → <b>Heating</b> → <b>Fan</b>
	<b>Sleep</b> Automatically turns the appliance off at a desired time. Use it before sleeping.
	<b>Ionizer</b> Ion particles from Ionizer reduce the surface bacteria and other harmful substances.
	<b>Energy/Jet</b> Selects the desired function. • In the Cooling mode, each time you press the <b>Energy/Jet</b> button the mode changes in the following order : <b>Energy Saving</b> → <b>Smart Care</b> → <b>Jet Cooling</b> → <b>Cooling</b> . • In the Heating mode, each time you press the <b>Energy/Jet</b> button the mode changes in the following order : <b>Smart care</b> → <b>Jet Heating</b> → <b>Heating</b> .
	<b>Temperature</b> Adjusts the desired room temperature.
	<b>Fan Speed</b> Adjusts the fan speed. • The fan speed can be set in the order of <b>1</b> ↔ <b>2</b> ↔ <b>3</b> ↔ <b>4</b> ↔ <b>5</b> ↔ <b>Auto</b> levels.
	<b>Comfort</b> Adjusts in the way that no air comes out of the air outlet at the bottom of the appliance so that it is not directly hit by air.
	<b>&lt; &gt;</b> Moves left and right for using the Setting.
	<b>Turning Sounds On or Off</b> Turns on or off the notification sound that occur when you set up or change appliance features.
	<b>Function</b> Sets Auto Clean+, Freeze Cleaning, Sleep Timer, On Timer, Off Timer, Cancel all Timer, Smart Diagnosis, and LED Light.
	<b>Reset</b> Resets the wireless remote control setting. Open the remote control battery cover and then press the <b>Reset</b> button to reset it.

## Setting Functions

Image	Description
	<b>Auto Clean+</b> Moisture remaining in the heat exchanger can be reduced by operating the appliance in a blowing state for a certain period of time.
	<b>Freeze Cleaning</b> Contaminants such as dust are reduced by repeating the process of freezing and thawing the heat exchanger inside the appliance.
	<b>Sleep Timer</b> Sets sleep mode to help you sleep better. • Sleep mode starts from 30 minutes and can be set in hourly increments up to 12 hours.
	<b>On Timer</b> Sets the appliance to turn on automatically at a desired time. • For On Timer, you can set the desired time in 1-hour increments from 1 hour to 24 hours.
	<b>Off Timer</b> Sets the appliance to turn off automatically at a desired time. • For Off Timer, you can set the desired time in 1-hour increments from 1 hour to 24 hours.
	<b>Cancel all Timer</b> Cancels all timer settings.
	<b>Smart Diagnosis</b> Easily check the maintenance information of an appliance.
	<b>LED Light</b> Turns on and off the LED light which is located on the lower right side of the appliance.

## NOTE

- When you turn the remote control off and on again, the last used settings will appear on the remote control display.
- The remote control display may differ from the image in the owner's manual depending on the model.

# Remote Controller



ARTCOOL AI Air Mirror  
DUALCOOL AI Air Premium  
DUALCOOL AI Air Deluxe  
DUALCOOL AI Air Special

Button	Description
	<b>Power</b> Turns the appliance on or off. <b>Connecting to LG ThinQ</b> Press and hold the <b>Power</b> button for about 3 seconds to prepare the statue for connecting appliance and Wi-Fi.
	<b>Mode</b> Selects the desired operation mode. • Each press changes the modes in this order : <b>Cooling → Auto → Dehumidification → Heating → Fan Air Purify (3 s)</b> Press and hold the <b>Mode</b> button for about 3 seconds to supply clean, fresh air using ion particles and the filter. * Not apply to DUALCOOL AI Air SPECIAL.
	<b>Soft Air</b> Keep you cool without feeling a draft. <b>AI Air (3 s)</b> Press and hold the <b>Soft Air</b> button for about 3 seconds to operate automatically by detecting the surrounding environment and user characteristics.
	<b>Temp. ^ v</b> Adjusts the desired room temperature.
	<b>Fan Speed + -</b> Adjust the fan speed.
	<b>Up-Down Swing</b> Adjusts the airflow direction up and down. <b>Direct / Indirect (3 s)</b> Press and hold the  button for about 3 seconds to set either a direct or Indirect airflow based on your preferences. * Not apply to DUALCOOL AI Air DELUXE & SPECIAL.
	<b>Cleaning Mode</b> While the remote control and appliance are turned off, press and hold the  button for about 5 seconds to fix the vane for cleaning the vane easily.
	<b>Left-Right Swing</b> Adjusts the airflow direction left and right. <b>Jet Mode (3 s)</b> Press and hold the  button for about 3 seconds to change the room temperature quickly.
	<b>Energy Control</b> Decrease the power input. You can control energy consumption. <b>Mute (3 s)</b> Press and hold the  button for about 3 seconds to turn off the beep sound.
	<b>Function</b> Selects the desired function.
	<b>Sleep</b> Automatically turns the appliance off at a desired time. Use it before sleeping. <b>Light Off (3 s)</b> Press and hold the  button for about 3 seconds to set the light off function.



ARTCOOL Mirror  
DUALCOOL P Series  
DUALCOOL E Series

Button	Description
	<b>Power</b> Turns the appliance on or off. <b>Connecting to LG ThinQ</b> Press and hold the <b>Power</b> button for about 3 seconds to prepare the statue for connecting appliance and Wi-Fi.
	<b>Mode</b> Selects the desired operation mode. • Each press changes the modes in this order : <b>Cooling → Auto → Dehumidification → Heating → Fan</b> <b>Diagnosis</b> Press and hold the <b>Mode</b> button for about 3 seconds to easily check the maintenance information of the appliance.
	<b>Up-Down Swing</b> Adjusts the airflow direction up and down. <b>Low Heat</b> Press and hold the <b>Up-Down Swing</b> button for about 3 seconds to operate the heating system to maintain a minimum room temperature.
	<b>Left-Right Swing</b> Adjusts the airflow direction left and right. <b>Room Temp.</b> Press and hold the <b>Left-Right Swing</b> button for about 3 seconds to display the room temperature.
	<b>Comfort</b> Adjusts the airflow to deflect wind. You can avoid direct winds. <b>Auto Clean</b> Press and hold the <b>Comfort</b> button for about 3 seconds to remove the moisture remaining inside the appliance after stopping operation.
	<b>Temperature ^ v</b> Adjusts the target room temperature.
	<b>Fan Speed + -</b> Adjusts the fan speed.
	<b>Jet</b> Changes the room temperature quickly. <b>Light</b> Press and hold the <b>Jet</b> button for about 3 seconds to turn the indoor unit display on or off.
	<b>Energy Ctrl.</b> Decrease the power input. You can control energy consumption. <b>Consumption</b> Press and hold the <b>Energy Ctrl.</b> button for about 3 seconds to set whether or not to display information regarding energy.
	<b>Air Purify</b> The ion generator uses millions of ions to help improve indoor air quality. <b>Mute</b> Press and hold the <b>Air Purify</b> button for about 3 seconds to turn off the beep sound.
	<b>Sleep</b> Automatically turns the appliance off at a desired time. Use it before sleeping. <b>Clear</b> Press and hold the <b>Sleep</b> button for about 3 seconds to cancel the sleep timer setting.
	<b>On</b> Automatically turns the appliance on at a desired time. <b>Clear</b> Press and hold the <b>On</b> button for about 3 seconds to cancel the on timer setting.
	<b>Off</b> Automatically turns the appliance off at a desired time. <b>Clear</b> Press and hold the <b>Off</b> button for about 3 seconds to cancel the off timer setting.

※ Some functions may not be supported, depending on the model.

## Remote Controller



DUALCOOL W Series

Button	Display Screen	Description
<b>Dual Sensing</b>		To set or cancel dual sensing mode operation.
	-	To turn on / off the air conditioner.
<b>Light Off</b>	-	To turn on / off the air conditioner indoor display.
<b>Mode</b>		To select the cooling mode.
		To select the auto changeover/auto operation mode.
		To select the dry mode.
		To select the heating mode.
		To select the fan mode.
<b>Fan Speed</b>		To adjust the fan speed.
<b>Energy Saving</b>		To minimize power consumption.
<b>Jet Mode</b>		To change room temperature quickly.
		To adjust the desired room temperature in cooling, heating or auto mode. (16°C - 31°C)
<b>Swing</b>		To adjust the air flow direction vertically.
<b>Swing</b>		To adjust the air flow direction horizontally. (Optional)
<b>Room Temp.</b>		To display the room temperature.
<b>Sleep</b>		To set the sleeping mode automatically.
<b>Func.</b>		The Ion generator uses millions of ions to help improve indoor air quality. (Optional)
		To remove moisture generated inside the indoor unit.
<b>Timer</b>		To turn on/off air conditioner automatically at desired time.
<b>Set/Cancel</b>	-	To set/cancel the special functions and timer.
	-	To adjust time.
<b>°C ↔ °F [5sec]</b>		To change unit between °C and °F

※ Remote Controller specifications may vary for each model.

※ Remote Controller specification, design and feature are subject to change without prior notice.